

NLP40 Series

Cover accessory kit

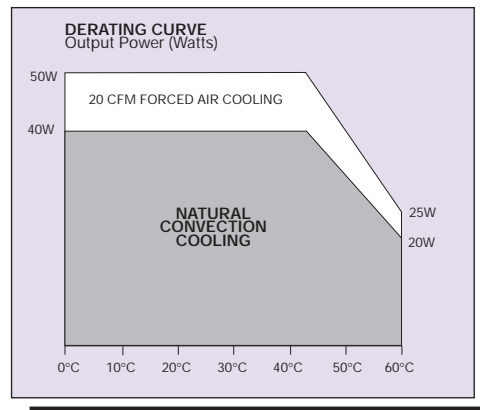
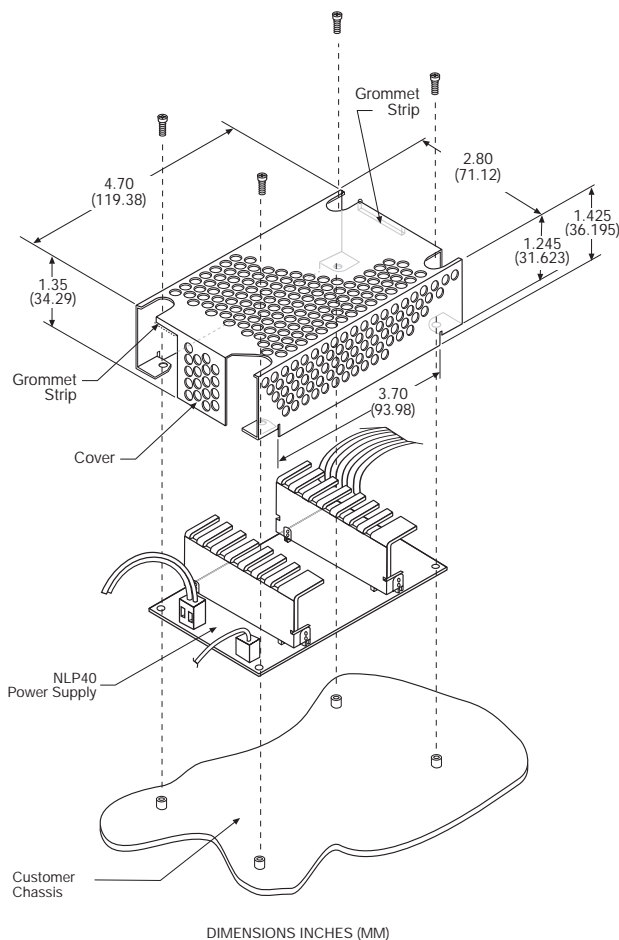
- NLP40 cover
- Mounting bracket kit available

The NLP40 series is available with a cover accessory kit to facilitate easy mechanical integration of the PSU into the system. The cover can be used with or without the NLP40 mounting bracket. The mounting bracket and cover kits are sold separately to retain their inherent flexibility. The NLP40 cover is easy to install. It is placed on the PSU mounting holes and attached with 4 screws to stand-offs on the system chassis or the NLP40 mounting bracket. The cover kit can be utilised in systems to ensure extra safety precautions are made for service personnel.



2 YEAR WARRANTY

COVER KIT



MODEL NUMBER: NLP40C

Materials

- 1 Cover (4.70 x 2.80 x 1.43 inches)
- 1 Installation instructions

Assembly Notes

- 1 Before assembly, ensure unit has been turned off for at least ten minutes.
- 2 Place the power supply on the customer chassis.
- 3 Cover the cable exit area with the provided grommet strip.
- 4 Put the cover on the PCB.
- 5 Secure 4 screws through the holes as shown.
- 6 When a cover or other sheetmetal option is added by a person or persons outside the factory, it is the user's responsibility to ensure that the requirements of the relevant safety agency, or agencies, are complied with.