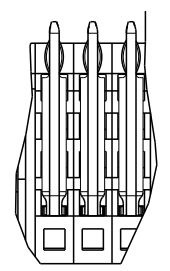
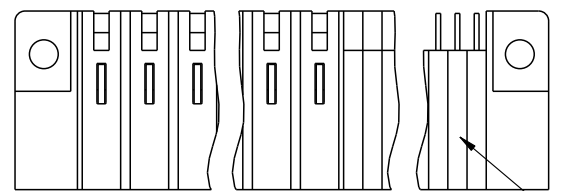
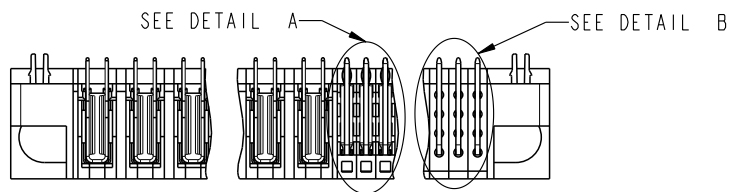


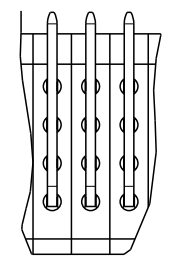


Copyright FCI.

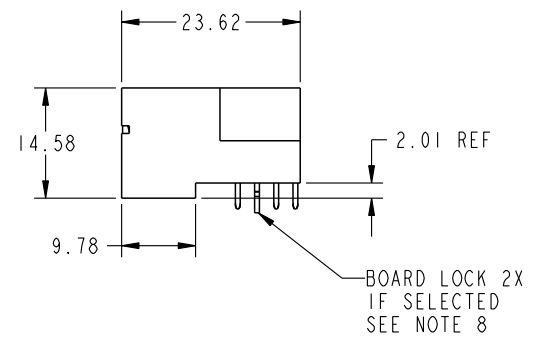
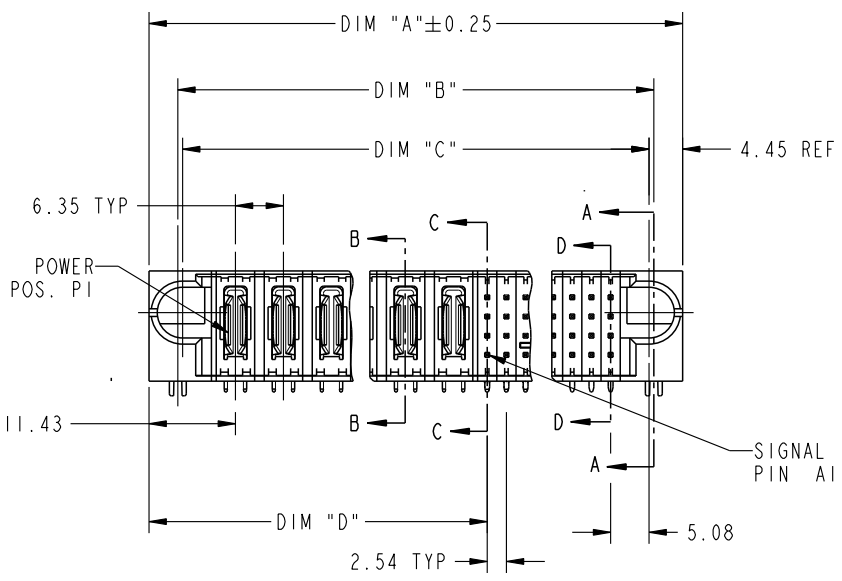
PRODUCT NUMBER  
51722-ABBCCC00EF\_\_  
SEE NOTE 1



DETAIL A  
SCALE 2:1  
FOR SIGNAL PRESS FIT ONLY




DETAIL B  
SCALE 2:1  
FOR SIGNAL SOLDER TO BOARD ONLY



spec ref	*	dr	w wadmin	2006/05/26	projection	MM	size	A4	scale	1:1				
tolerance std	TOLERANCES UNLESS OTHERWISE SPECIFIED	eng	Jackie Huang	2013/08/30			←→	ecn no	ELX-DG-15692-1					
surface		chr	-	-				rel level	Released					
linear		0.X	±0.50			title		RIGHT ANGLE HEADER w/GUIDE	dwg no	51722	rev	N		
	0.XX	±0.25	www.fci.com		cat. no.		51722						Product - Customer Drw	sheet 1 of 3
angular	0°	±2°												

ProjE File - REV C - 2009-06-09

PRODUCT NUMBER	DIM	LENGTH FORMULAS (SEE NOTE 10)
51722-ABBCCC00EF-- 	DIM "A"	6.35 x BB +2.54 x (CCC/4) +16.51(NOTE 10)
SEE NOTE 1	DIM "B"	6.35 x BB +2.54 x (CCC/4)+ 8.89
	DIM "C"	6.35 x BB +2.54 x (CCC/4) + 7.62
	DIM "D"	6.35 x BB + 9.53
	DIM "F"	6.35 x BB +2.54 x (CCC/4) + 17.27
	DIM "G"	6.35 x BB + 5.72

CONNECTOR NOTES


1 PRODUCT NUMBER CODE:  
51722 - A BB CCC 00 E F LF

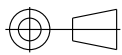


- NO THIS SUFFIX: 100u"/2.54um SnPb ON PCB INTERFACE
- ADD THIS SUFFIX: 78u"/2.00um Sn ON PCB INTERFACE
- RETENTION TO PCB (NOTE 8)
- TAIL OPTIONS (NOTE 7)
- ALWAYS '00' (ZERO, ZERO)(NOTE 6)
- NUMBER OF SIGNAL CONTACTS (NOTE 5)
- NUMBER OF LEFT POWER CONTACTS (NOTE 4)
- PLATING (NOTE 3)
- BASE NUMBER

- 2. HOUSING MATERIAL: GLASS FILLED V-O HIGH TEMP THERMO PLASTIC.  
SIGNAL CONTACT MATERIAL: COPPER ALLOY  
POWER CONTACT MATERIAL: COPPER ALLOY
- 3. PLATING OPTION:  
I = SEE PRINT 10064183 FOR PLATING SPEC OF 51722-1BBCCC00EF; 51722-1BBCCC00EFLF  
B = SEE IN PRINT 10125789 FOR PLATING SPEC OF 51722-1BBCCC00EF; 51722-1BBCCC00EFLF
- 4. LEFT END POWER CONTACTS, 01 TO 20 AVAILABLE.  
MAXIMUM OF 20 POWER CONTACTS PER CONNECTER.
- 5. SIGNAL CONTACTS, 004 TO 148 AVAILABLE.
- 6. THIS PART IS NOT AVAILABLE WITH RIGHT SIDE POWER CONTACTS.
- 7. TAIL OPTIONS:  
A = 3.43 SOLDER TO BOARD  
C = 3.43 PRESS FIT

- 8. RETENTION TO PCB OPTIONS:  
A = BOARD LOCK (REQUIRES 2.49 +0.05, -0.03 THRU HOLE IN PCB).  
MOUNTING FOOT THICKNESS 5.59  
B = 3.81 THRU HOLE (REQUIRES 4.01±0.07 THRU HOLE IN PCB).  
MOUNTING FOOT THICKNESS 4.06
- 9. MANUFACTURE'S NAME, P/N, AND DATE CODE TO APPEAR ON THIS SURFACE.
- 10. THE MAXIMUM OVERALL LENGTH (DIM A) OF A PART IS 203.2
- 11. PRODUCT SPECIFICATION GS-12-149  
APPLICATION SPECIFICATION BUS-20-067
- 12. REFERENCE 51730 FOR SELECT LOAD/FMLB FOR WORKSHEET


PCB NOTES:

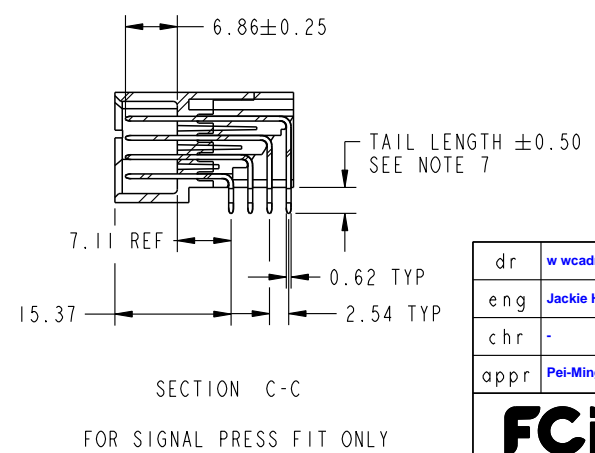
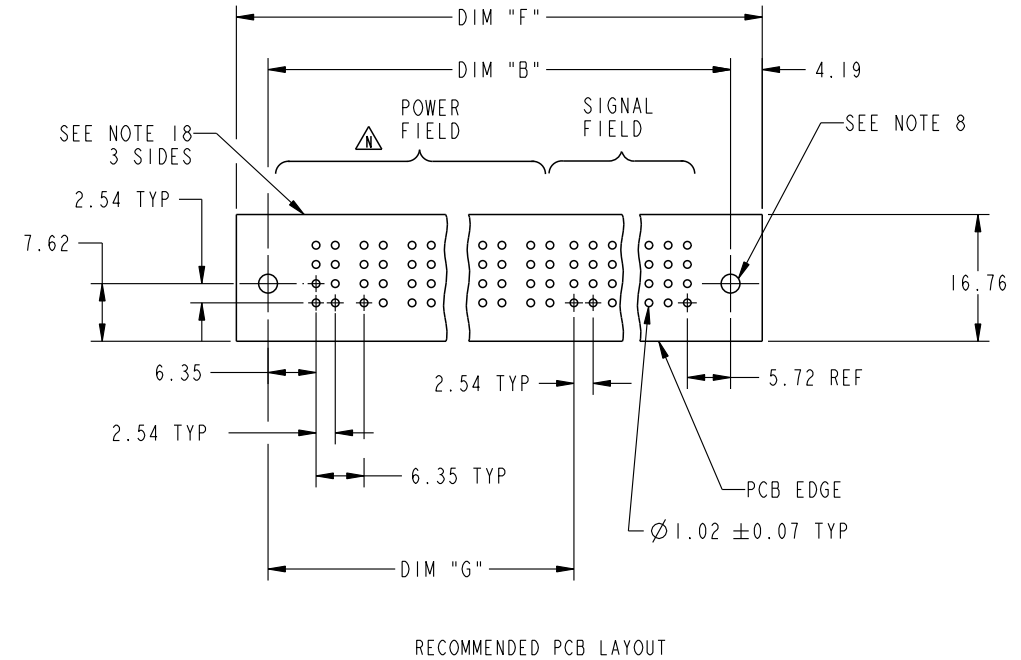
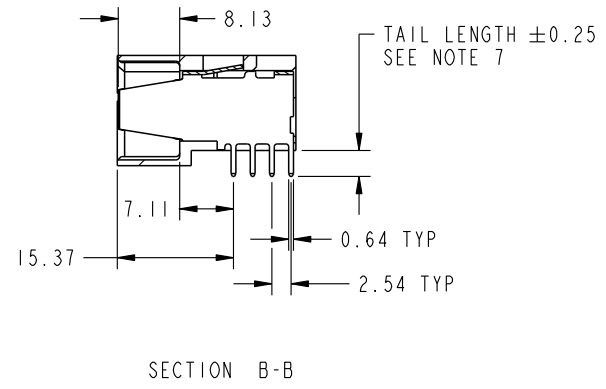
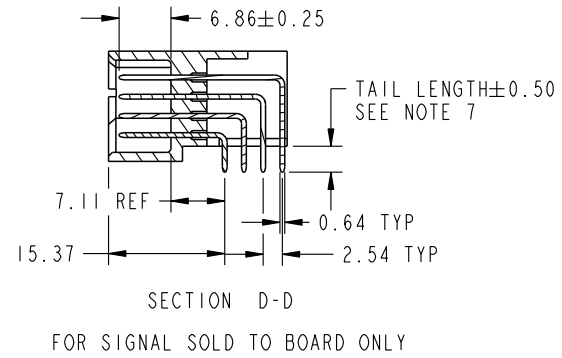
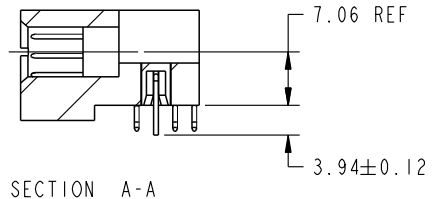
- 13. ALL DIMENSIONS ARE BASIC UNLESS OTHERWISE SPECIFIED.
- 14. ALL THROUGH HOLES ARE LOCATED WITH A TRUE POSITION OF 0.10
- 15. ALL HOLE DIAMETERS ARE FINISHED HOLE SIZE.
- 16. Ø1.151 ±0.02 DRILLED HOLES PLATED WITH 0.007 MIN SnPb OVER 0.03 TO 0.08 PLATING TO ACHIEVE A 1.02±0.07 HOLE.
- 17. A  SYMBOL WILL BE NEXT TO ANY DIMENSION, VIEW, OR NOTE WHICH HAS BEEN MODIFIED WITH THE CURRENT DRAWING REVISION.
- 18. CONNECTOR KEEP OUT ZONE

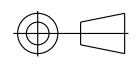
dr	w wadmin	2006/05/26	projection 	MM 	size	A4	scale	1:1
eng	Jackie Huang	2013/08/30			ecn no	ELX-DG-15692-1		
chr	-	-			rel level	Released		
appr	Pei-Ming Zheng	2013/08/30	product family		rev	N		
		title			RIGHT ANGLE HEADER w/GUIDE		dwg no	
www.fci.com		cat. no.			51722		Product - Customer Drw	
					sheet 2 of 3			



Copyright FCI.

PRODUCT NUMBER  
51722-ABBCCC00EF --   
SEE NOTE 1



dr	w wadmin	2006/05/26	projection 	MM ←→	size	A4	scale	1:1
eng	Jackie Huang	2013/08/30			ecn no	ELX-DG-15692-1		
chr	-	-			rel level	Released		
appr	Pei-Ming Zheng	2013/08/30	product family		rev	51722		N
www.fci.com		cat. no.	51722	Product - Customer Drw		sheet 3 of 3		



Copyright FCI.