

Model No: H25TG05-08

Product Line: Tymphany

Rev: 1

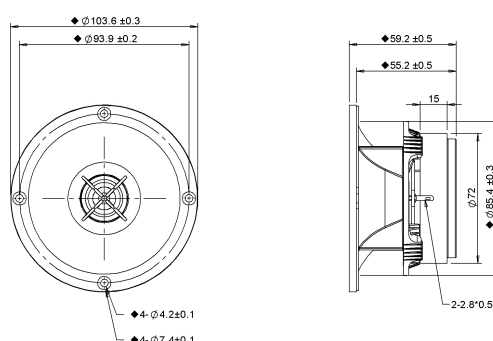
Last Update: 2017-04-21 12:39:42

Product Description

This H family tweeter features an 1Inch 80hm voice coil, a treated silk dome, large rear chamber for low resonant frequency, and a ferrofluid-cooled motor. The large motor and rear chamber allow for robust power handling capacity. The tweeter comes with a faceplate with recessed mounting holes, for easy installation into the desired application. The faceplate has a horn geometry for increased sensitivity.



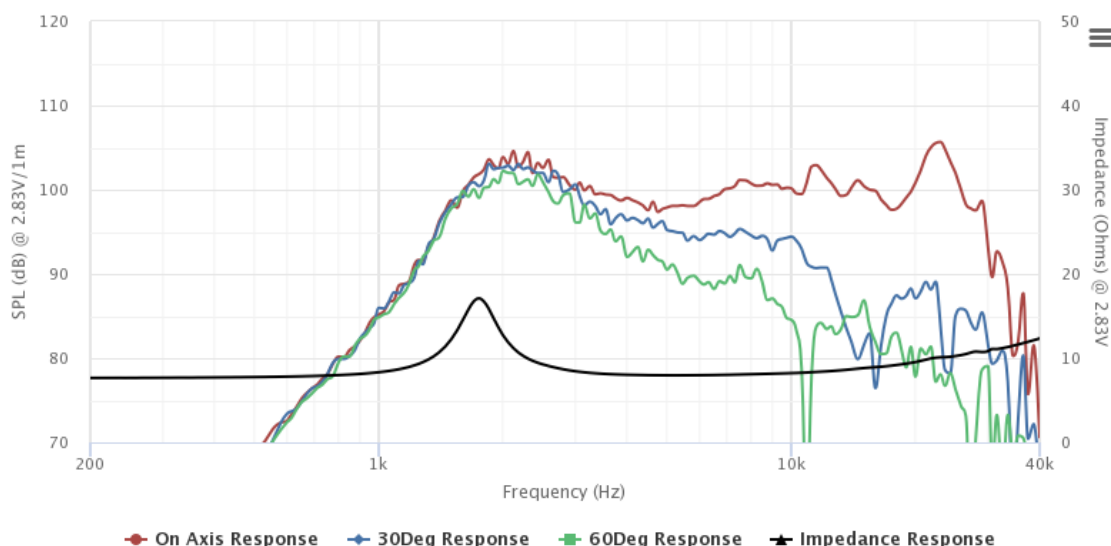
Mechanical Drawing



Specifications

DC Resistance	Revc	Ohms	6.66	5.0%	Energy Bandwidth Product	EBP	(1/Qes)*fs
Minimum Impedance	Zmin	Ohms	7.96	7.5%	Moving Mass	Mms	g
Voice Coil Inductance	Le	mH	0.02		Suspension Compliance	Cms	um/N
Resonant Frequency	Fs	Hz	1750.51	15%	Effective Cone diameter	D	cm
Mechanical Q Factor	Qms		3.57		Effective Piston Area	Sd	cm^2
Electrical Q Factor	Qes		3.08		Effective Volume	Vas	L
Total Q Factor	Qts		1.65		Motor Force Factor	BL	Tm
Ratio Fs/Qts	F	Fs/Qts	1059.63		Motor Efficiency Factor	β	(T*M^2)/Ohms
Half Space Sensitivity @2.83V	db@2.83V/1M	dB	97.98	+/- 1.0db	Voice coil former Material	VCfm	KSV
Half Space Sensitivity @1W/1M	db@1W/1M	dB	98	+/- 1.0db	Voice coil inner diameter	VCd	mm
Gap Height	Gh	mm	3		Rated Noise Power	P	W
Maximum Linear Excursion	Xmax	mm	1		Test Spectrum Bandwidth	Na	
Ferrofluid Type	FF				Driver Size	Inch	25 mm
Driver Mass	Kg		0.56				

Frequency and Impedance Response



Highcharts.com