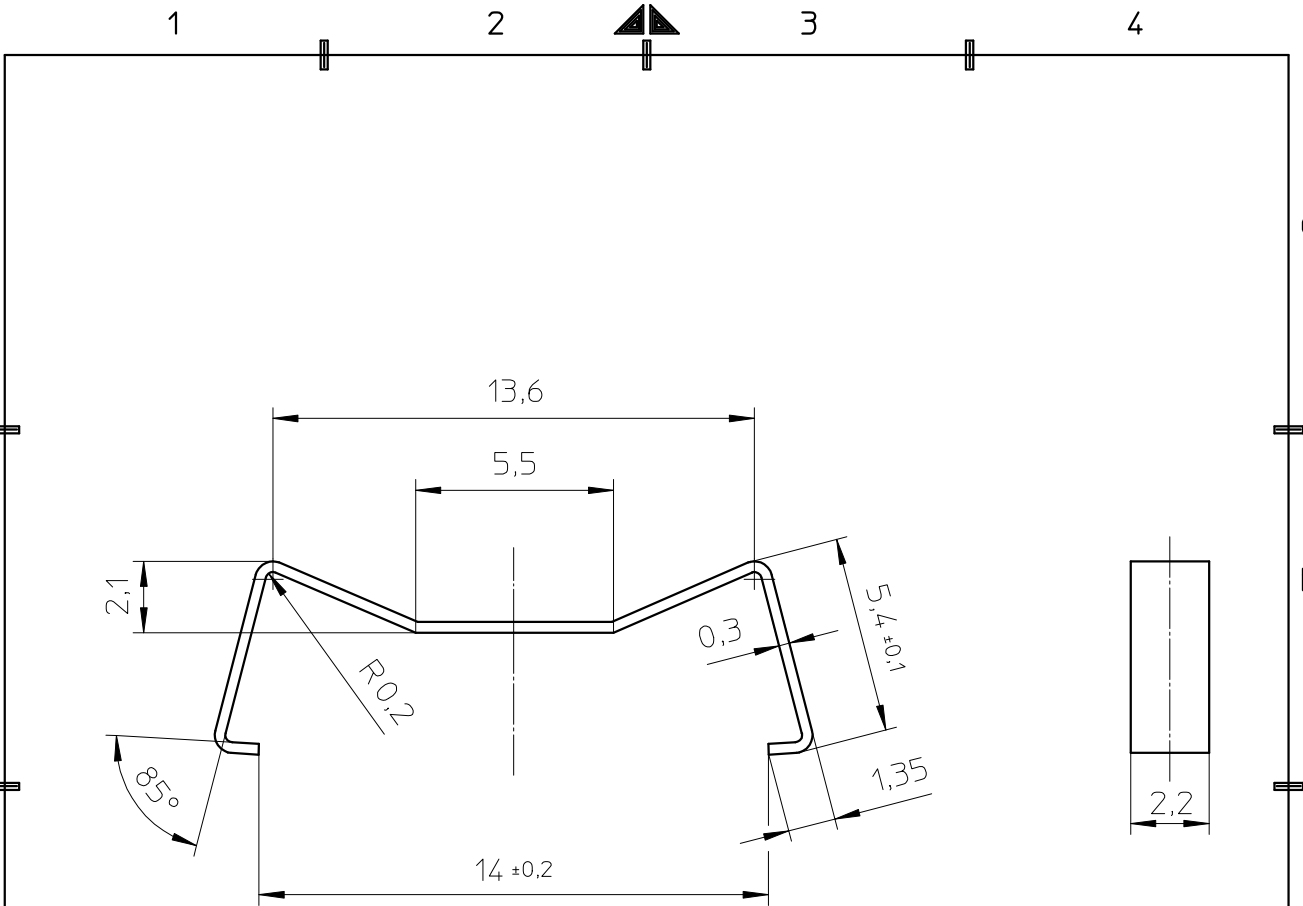
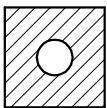
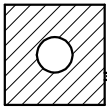


FERROXCUBE



Clip material: Corrosion resisting steel X12 CrNi 17 7

CLASS.NO.		CLM-E14/PLT14		4322 021 01611		96-07-15			
98-02-18						98-02-18			
						98-12-04			
NAME NAAM	M.Veekens	SUPERS. VERV.	8222 294 45271	1	SH BL.	112	- 001	010	A4
MPA	CHECK CONTR.	DAT.	96-07-15	Property of Eigendom van		© FERROXCUBE 2000			