

SAFETY ORGANIZATION(S):

THIS FILTER HAS BEEN FORMALLY RECOGNIZED, CERTIFIED OR APPROVED BY THE LISTED AGENCY. THEREFORE, ALL TEST/REQUIREMENTS SPECIFIED IN THE LATEST REVISION OF THE FOLLOWING AGENCY STANDARDS HAVE BEEN MET:

UL RECOGNIZED  
CSA CERTIFIED  
VDE APPROVED

UL 1283  
CSA 22.2, NO. 0.0.4, 8  
VDE 565-3

OPERATING SPECIFICATIONS:  
LINE VOLTAGE/CURRENT:

20 AMP., 120/250 VAC  
16 AMP./40°C, 250 VAC  
50-60Hz  
40°C

LINE FREQUENCY:  
MAX. CASE RISE @ RATED CURRENT:

0.5mA at 120V 60 Hz  
1.0 mA at 250V 50 Hz

MAX. LEAKAGE CURRENT, EACH LINE TO GROUND  
OPERATING AMBIENT TEMP. RANGE:

-10°C TO +40°C @ RATED CURRENT, I<sub>r</sub>  
IN AN AMBIENT, T<sub>a</sub>, HIGHER THAN 40°C, THE MAXIMUM OPERATING CURRENT, I<sub>o</sub>, IS AS FOLLOWS:

$$I_o = I_r \sqrt{\frac{85 - T_a}{45}}$$

RELIABILITY SPECIFICATIONS:

STORAGE TEMPERATURE: -40°C TO +85°C

HUMIDITY: 21 DAYS @ 40°C 95% RH

CURRENT OVERLOAD TEST: 6 TIMES RATED CURRENT FOR 8 SECONDS

TEST SPECIFICATIONS:

INDUCTANCE: 1.8 mH NOMINAL

CAPACITANCE: (MEASURED @ 1 KHz, 0.25 VAC MAX., 25°C ±1°C)

LINE TO GROUND: .011µF ±20%

LINE TO LINE: 1.08µF ±20%

DISCHARGE RESISTOR: 330 KΩ

LINE/GROUND AND LINE/LINE: 6000 MΩ (MIN) AT 100 VDC

INSULATION RESISTANCE: 20°C AND 50% RH (W/O DISCHARGE RESISTOR)

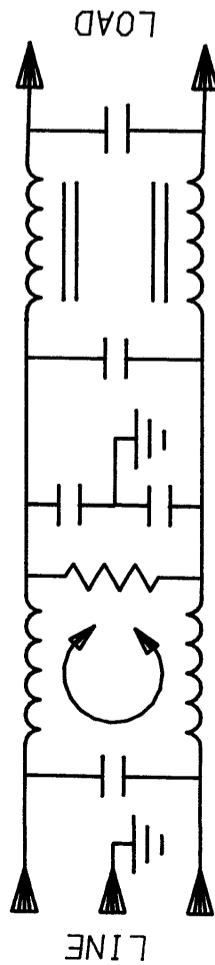
RECOMMENDED RECEIVING INSPECTION HIPOT:

LINES TO GROUND: 2250 VDC FOR 1 MINUTE

LINE TO LINE: 1450 VDC FOR 1 MINUTE

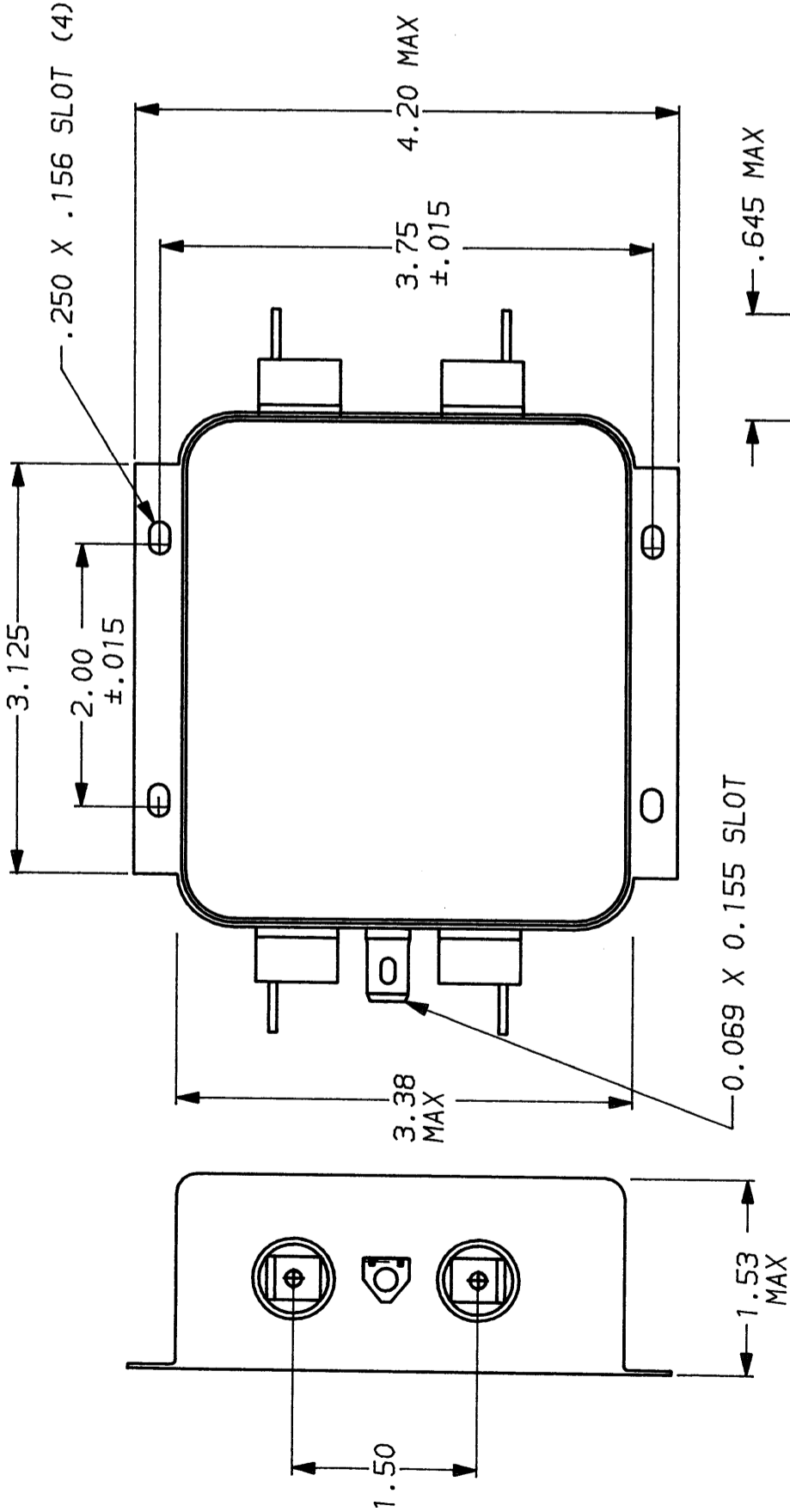
FILTER APPROVAL:

THE BEST WAY TO SELECT AND QUALIFY A FILTER IS FOR YOUR ENGINEERING TO TEST THE UNIT IN YOUR EQUIPMENT.



FREQUENCY MHZ	.15	.5	1	2	5	10	20	30	50	100
COMMON dB	15	30	41	49	60	46	36	30		
DIFF. dB	25	65	65	65	65	60	57	55		

This document is proprietary to CORCOM INC. and is not to be reproduced nor used for manufacturing purposes except on CORCOM's order or prior written consent.



.250 FASTON .069±.003 HOLE  
(5 PLACES)

TOLERANCE EXCEPT AS NOTED  
DECIMAL: .XXX .XX .X ANGLES ± 1°  
ENGLISH: ±.025  
METRIC: ±

MATERIAL: AS SUPPLIED

FINISH: AS SUPPLIED

SCALE: NTS  
DATE: 9-12-89  
DRG. NO.: 20VV1.06  
REV.:  
ORR. BY: TDL  
ORIGINATOR: CW

**CORCOM**  
LIBERTYVILLE, IL 60048

**POWER LINE FILTER**