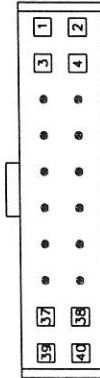


FIM 998089

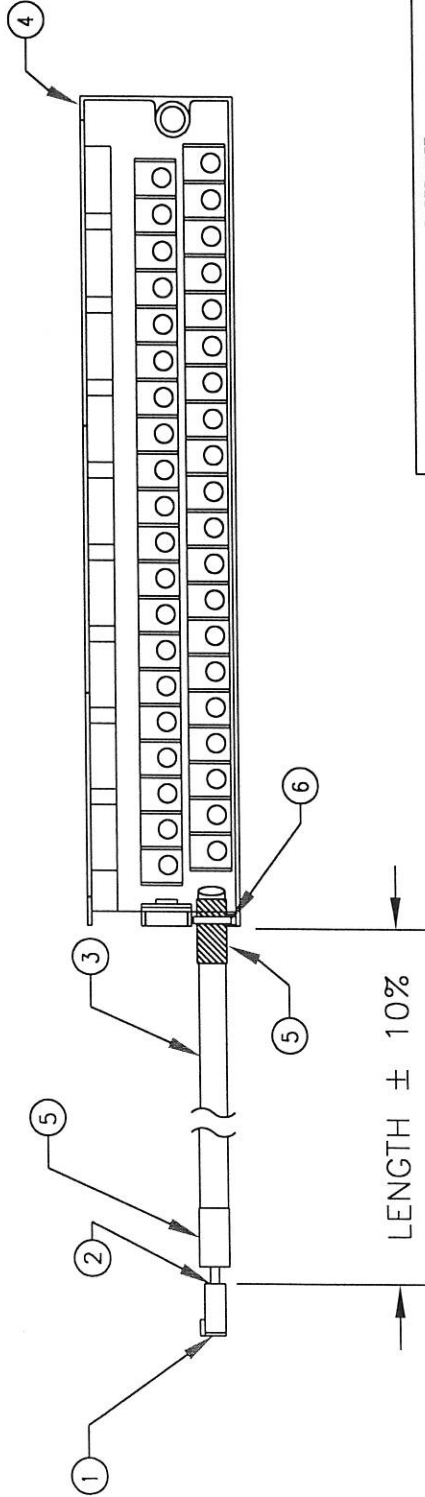
REV. DESCRIPTION		DATE	CMPLT. BY	APPRV.
REV.				

GE TERMINAL BLOCK
PIN NUMBERS



CRIMP AND POKE CONNECTOR
PIN NUMBERS
(WIRE INSERTION SIDE)

2	1
4	3
6	5
8	7
10	9
12	11
14	13
16	15
18	17
20	19
22	21
24	23
26	25
28	27
30	29
32	31
34	33
36	35
38	37
40	39



NOTES:

1. CUT CABLE AND STRIP CONDUCTORS AS REQUIRED TO ACHIEVE LENGTH SPECIFIED IN TABLE.
2. CUT UNUSED WIRE ENDS BACK TO THE JACKET BEFORE HEATING SHRINK TUBING.

CATALOG NO.	LENGTH (m)
998090	0.5
998091	1.0
998092	1.5
998093	2.0

PARTS LIST		
BUB. #	DESCRIPTION	QTY.
1	CONNECTOR, 40-PIN, FEMALE	1
2	CRIMP AND POKE TERMINAL	40
3	CABLE, 40-COND, 22AWG	A/R
4	TERMINAL BLOCK, IC697ACC700	1
5	SHRINK TUBING	100mm
6	TIE WRAP, NYLON, 4"	6

TOLERANCE ON :		DRAWING NUMBER	
X	+/- 0.508 mm	REV.	0
.xx	+/- 0.254 mm	SIZE: A	SHEET 1 of 2
.xxx	+/- 0.127 mm	PRODUCTION RELEASE PAGE 1	SCALE: DO NOT SCALE
±	+/- .30	TITLE	

<p>UNLESS OTHERWISE SPECIFIED ALL DIMENSIONS ARE IN MILLIMETERS () INDICATES REFERENCE DIMENSIONS</p>		<p>PRODUCTION RELEASE PAGE 1</p>	
<p>PROPRIETARY RIGHTS : THIS DOCUMENT INCLUDES DESIGN AND ENGINEERING CONCEPTS WHICH INVOLVE PROPRIETARY AND CONFIDENTIAL INFORMATION OF WEIDMULLER INC. AND THE DOCUMENT OR ITS CONTENTS MAY NOT BE DISCLOSED TO OTHERS, REPRODUCED, COPIED, OR USED WITHOUT WRITTEN AUTHORITY FROM WEIDMULLER INC. IN RICHMOND, VIRGINIA.</p>		<p>SCALE: DO NOT SCALE</p>	
<p>FPA/C 697MDL753</p>		<p>1/28/98</p>	

Weidmüller
WEIDMULLER INC.
821 SOUTHLAKE BLVD.
RICHMOND, VIRGINIA 23236

CAT. NO. VARIOUS
DRWN BY DLC
APPROVED

DISTRIBUTION: P/N DWG. PROD. INSP. OTHER