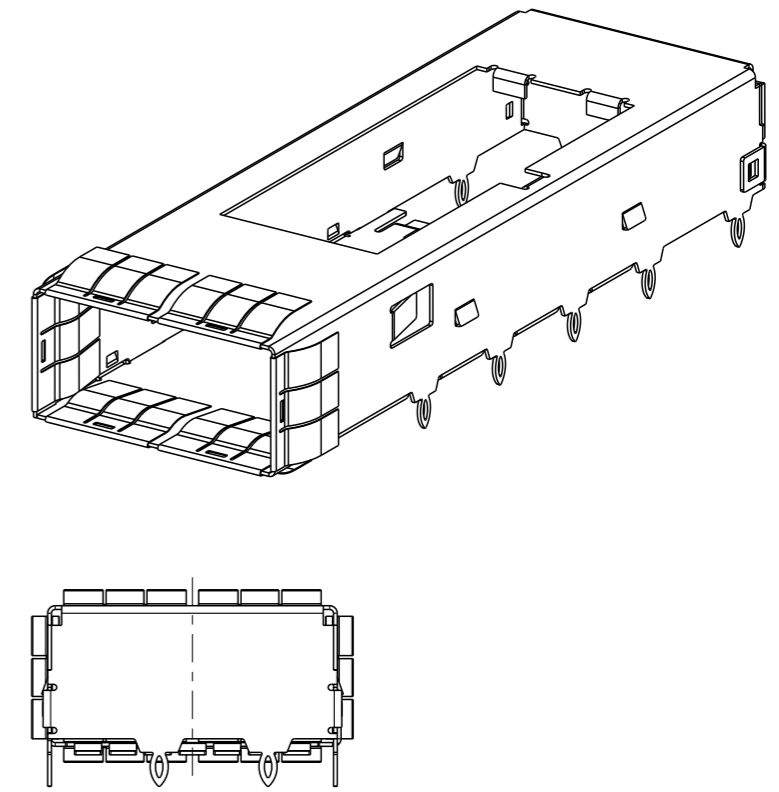
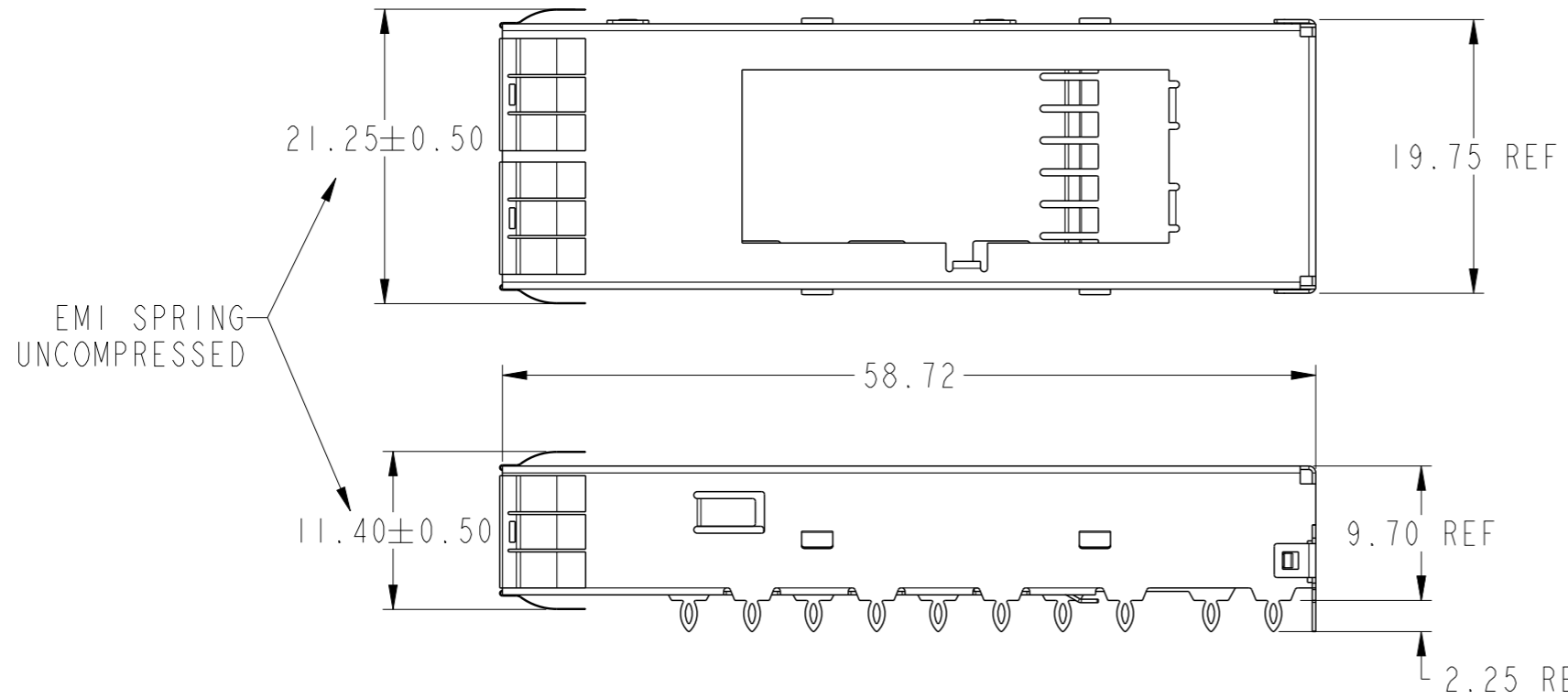
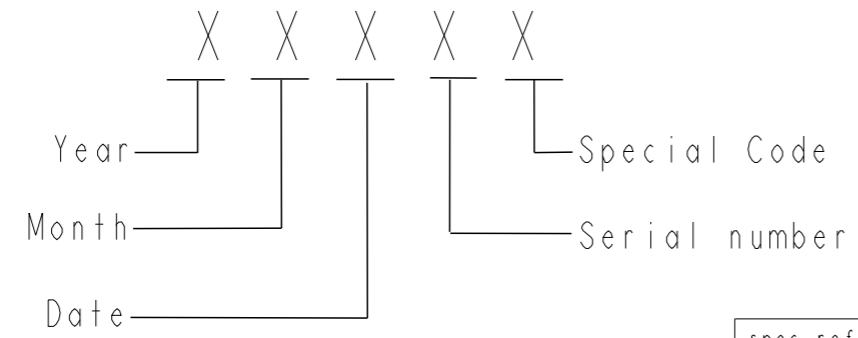


PART NUMBER	PACKAGING
10099114-001LF	TRAY



NOTES:

- MATERIAL AND PLATING:
CAGE BODY: COPPER ALLOY, 50μ"MIN NICKEL PLATING
EMI SPRING: COPPER ALLOY, 50μ"MIN NI PLATING, 100μ" TIN PLATING.
- MATES WITH QSFP-MSA COMPLIANT TRANSCEIVER.
- PRODUCT SPECIFICATION: GS-12-622
- APPLICATION SPECIFICATION GS-20-126.
- PRODUCT MEETS EUROPEAN UNION DIRECTIVES AND OTHER COUNTRY REGULATIONS AS DESCRIBED IN GS-22-008.
- DATE CODE BE PRINTED ON PROPER SURFACE.
- QSFP CAGE, HEATSINK AND CLIP SEPERATION OR ASSEMBLY TO BE OPTIONAL.



DATE CODE DESCRIPTION

spec ref	RELEASE	dr	Andy Zhang	2010/11/03	projection	mm	size	A3	scale	1:1
tolerance std	ASME Y14.5	eng	Wendy Chen	2011/08/02			ecn no	ELX-T-004750-1		
	TOLERANCES UNLESS OTHERWISE SPECIFIED	chr	-	product family				QSFP	rel level	Released
surface	linear	appr	Gary Hsieh	2011/08/02			cat. no.	-	Product - Customer Drw	sheet 1 of 4
	angular					title	QSPF CAGE		dwg no	10099114C
							QSPF BOARD CONNECTOR		rev	D

Copyright FCI.

PART NUMBER
10099114-001LF

THIS AREA DENOTES
COMPONENT KEEP-OUT
(TRACES ALLOWED)

Ø 1.05 ± 0.05 TYP.
⊕ 0.10 (M) A K L

(Ø 1.55)
L

SEE QSFP CONNECTOR DRAWING FOR
CONNECTOR LAYOUT

22.15 MIN.

19.0

3.4

6.2

7.2

16.8

19.2 MAX.

7.2

1.1

A

CROSS-HATCHED AREA DENOTES
COMPONENT AND TRACE KEEP-OUT
(EXCEPT CHASSIS GROUND)

AREA DENOTES OPTIONAL EMI
GROUNDING PAD (MUST BE
CONNECTED TO CHASSIS GROUND)

5.44 MAX.

6.94 MIN.

7.6

10.6

(Ø 1.55)
K

11.3 MIN.

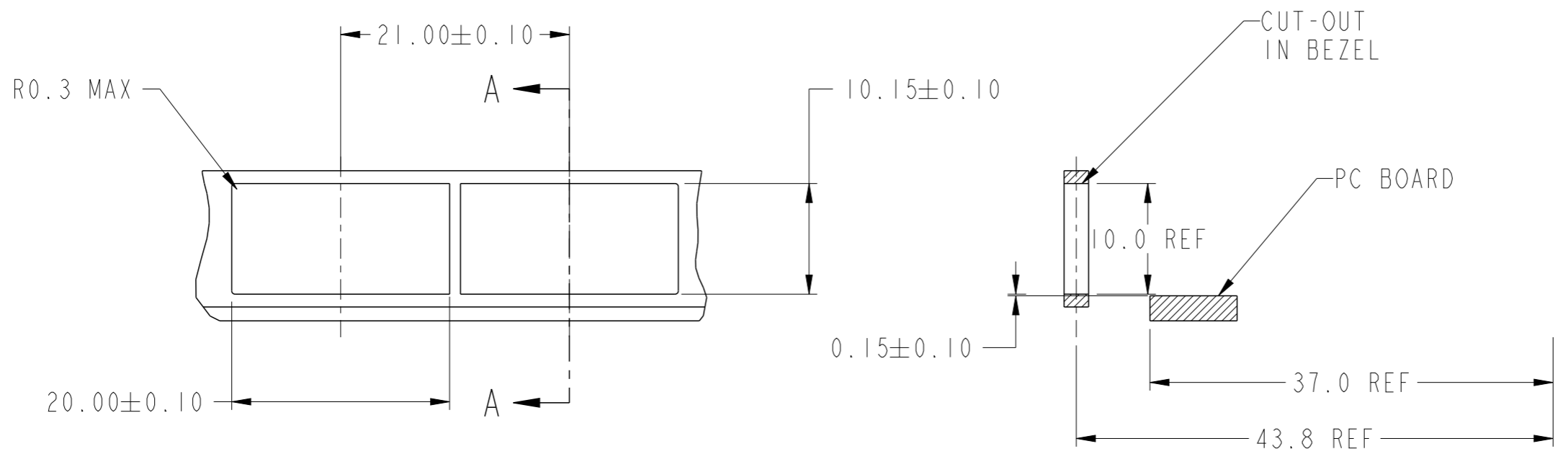
PCB LAYOUT FOR BELLY TO BELLY APPLICATION



Copyright FCI.

spec ref	RELEASE	dr	Andy Zhang	2010/11/03	projection	mm	size	A3	scale	1:1		
tolerance std	ASME Y14.5	eng	Wendy Chen	2011/08/02			ecn no	ELX-T-004750-1	rel level	Released		
TOLERANCES UNLESS OTHERWISE SPECIFIED		chr	-	apppr							Gary Hsieh	2011/08/02
surface	✓	linear	0.X	±0.25		title QSFP CAGE QSFP BOARD CONNECTOR	dwg no 10099114C	rev D	ASME Y14.5			
			0.XX	±0.15					cat. no.	-	Product - Customer Drw	sheet 3 of 4
		angular	0°	±2°					PDS: Rev :D		STATUS:Released	

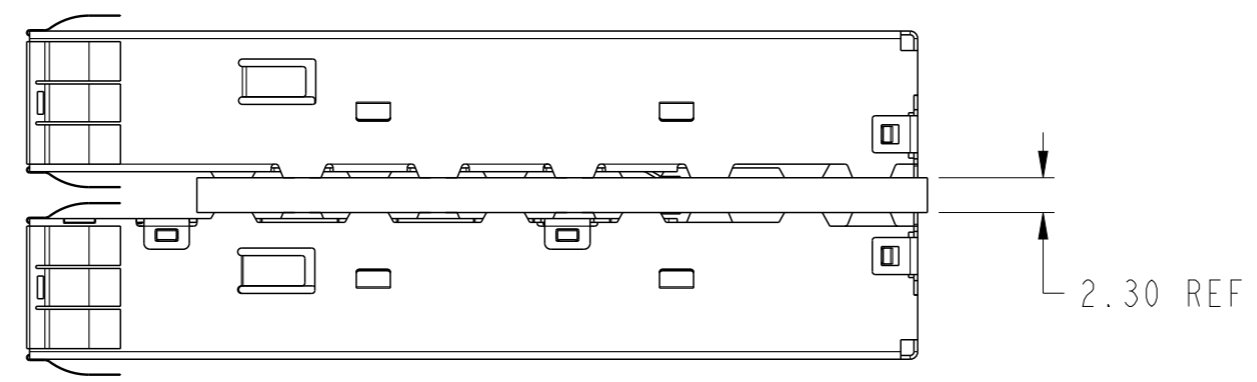
PART NUMBER
10099114-001LF



RECOMMENDED BEZEL DESIGN

SECTION A-A

FROM ϕ BEZEL
TO **-K-** & **-L-**



BEZEL CUTOUT LOCATIONS FOR BELLY TO BELLY APPLICATIONS ARE DEPENDENT ON PCB THICKNESS



Copyright FCI.

spec ref	RELEASE	dr	Andy Zhang	2010/11/03	projection	mm	size	A3	scale	1:1
tolerance std	ASME Y14.5	eng	Wendy Chen	2011/08/02			ecn no	ELX-T-004750-1		
	TOLERANCES UNLESS OTHERWISE SPECIFIED	chr	-	rel level				Released		
surface	✓	appr	Gary Hsieh	2011/08/02	product family	QSFP	rel level	Released		
	linear				www.fci.com	cat. no.	-	Product - Customer Drw	sheet 4 of 4	
	angular									
	0.X	±0.25								
	0.XX	±0.15								
	0.XXX	±								
	0°	±2°								



QSPF CAGE
QSPF BOARD CONNECTOR

dwg no 10099114C

rev D