

LOC		DIST		REVISIONS			
P	LTR	DESCRIPTION	DATE	DWN	APVD		
AD	00	AM3	REVISED PER ECO-11-004587	11MAR11	RK	HMR	

- FOR ADDITIONAL SPECIFICATIONS SEE AMP PRODUCT SPEC 108-7532.
- SWITCH SHOWN IN OPEN POSITION.
- ALL CHARACTERS AND ROCKERS ARE WHITE, HOUSING IS BLUE.
- STAMPING WILL VARY ON 2 AND 3 POSITION SIDES DUE TO SPACE RESTRICTIONS.

△5 .315 DIMENSION APPLIES AT TERMINAL TIPS.
 TERMINALS ARE .300-.000 AT MOUNTING SURFACE.
 △6 STRIPPABLE TRANSPARENT SEAL, SEE FIG 1.

△7	OBSOLETE	FIG 6				
			1.08	10	6-435640-1	
			.58	5	6-435640-0	
	△	FIG 7	.48	4	5-435640-9	
			.88	8	5-435640-8	
			.98	9	5-435640-7	
	△	FIG 5	.68	6	5-435640-6	
			.58	5	5-435640-5	
			.48	4	5-435640-4	
		FIG 2	.88	8	5-435640-3	
		FIG 5	.88	8	5-435640-2	
			1.08	10	5-435640-1	
		FIG 3	.88	8	5-435640-0	
			.88	8	4-435640-9	
			.58	5	4-435640-8	
		NONE	1.08	10	4-435640-7	
			1.28	12	4-435640-3	
			1.08	10	4-435640-1	
			.98	9	4-435640-0	
		AS SHOWN	.88	8	3-435640-9	
			.78	7	3-435640-8	
			.68	6	3-435640-7	
			.58	5	3-435640-6	
			.48	4	3-435640-5	
			.38	3	3-435640-4	
			.28	2	3-435640-3	
		FIG 4	1.28	12	3-435640-2	
			.38	3	3-435640-0	
			.28	2	2-435640-9	
		FIG 2	.78	7	2-435640-2	
			1.08	10	435640-7	
			.98	9	435640-6	
			.88	8	435640-5	
		AS SHOWN	.68	6	435640-4	
			.58	5	435640-3	
			.48	4	435640-2	
			.78	7	435640-1	
		TOP MARKING	A	NO OF POSN	PART NO.	

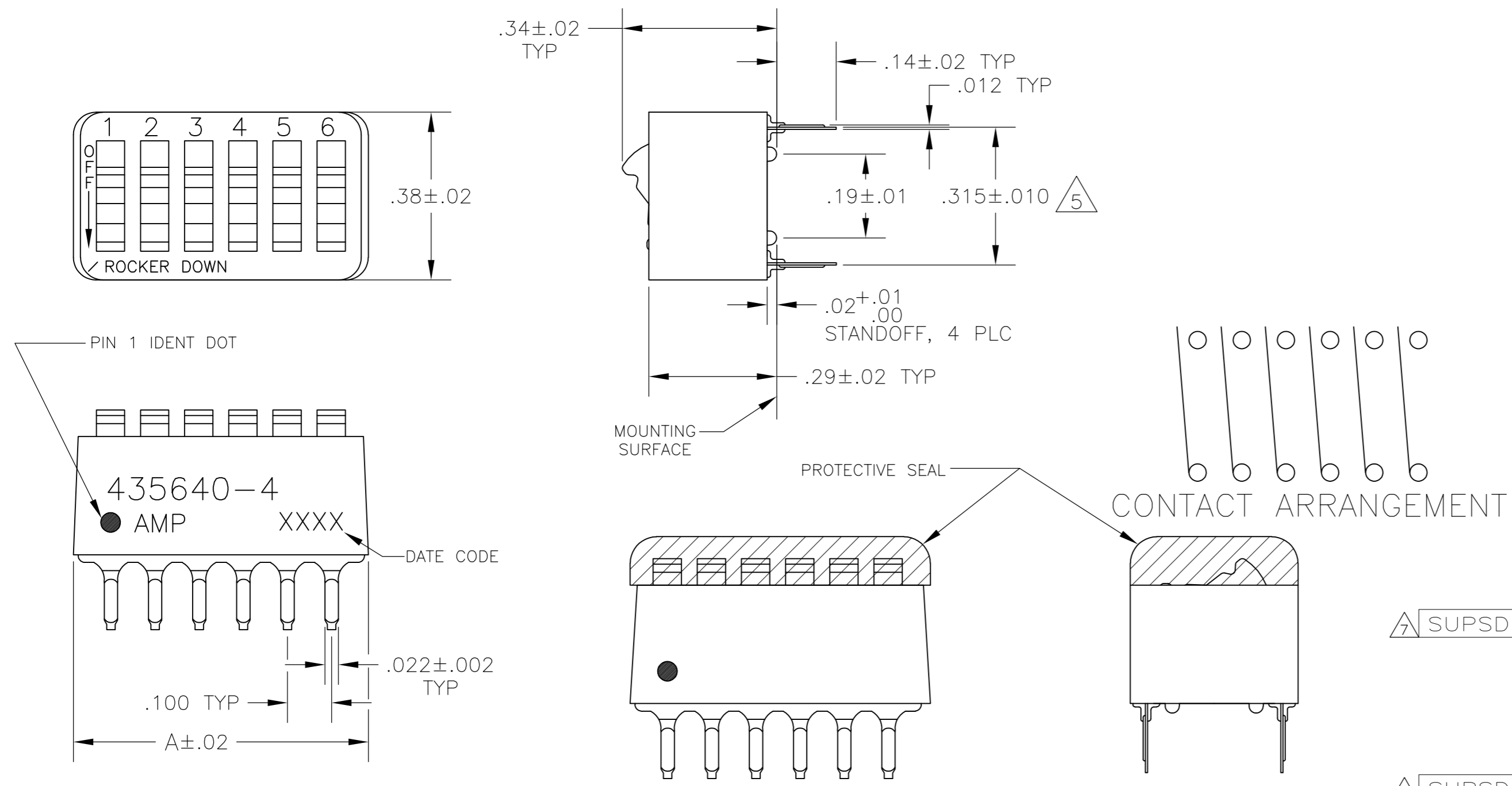


FIG 2

FIG 3

FIG 4

FIG 5

FIG 6

FIG 7

△7 OBSOLETE PARTS: OBSOLETE CIS STREAMLINING PER D.RENAUD/D.SINISI

THIS DRAWING IS A CONTROLLED DOCUMENT.		DWN	R.TALLEY	15NOV89	TE Connectivity	
DIMENSIONS: INCHES		CHK	R.L.MILLER	06MARGO	NAME	
TOLERANCES UNLESS OTHERWISE SPECIFIED:		APVD	H.LEITER	06MARGO	SWITCH ASSY, DIP, TYPE C, 7100 SERIES, SPST, STANDARD	
0 PLC ± -		PRODUCT SPEC				
1 PLC ± -		APPLICATION SPEC				
2 PLC ± -		WEIGHT	A2 00779 C=435640			
3 PLC ± .005		CUSTOMER DRAWING	SCALE 4:1 SHEET 1 of 1 REV AM3			
4 PLC ± -						
ANGLES ± -						
FINISH						
HOUSING & ROCKERS; POLYESTER						
CONTACTS; COPPER ALLOY						
		CONTACTS: PLATED .000030 MIN GOLD IN CONTACT AREA OVER .000050 MIN NICKEL				