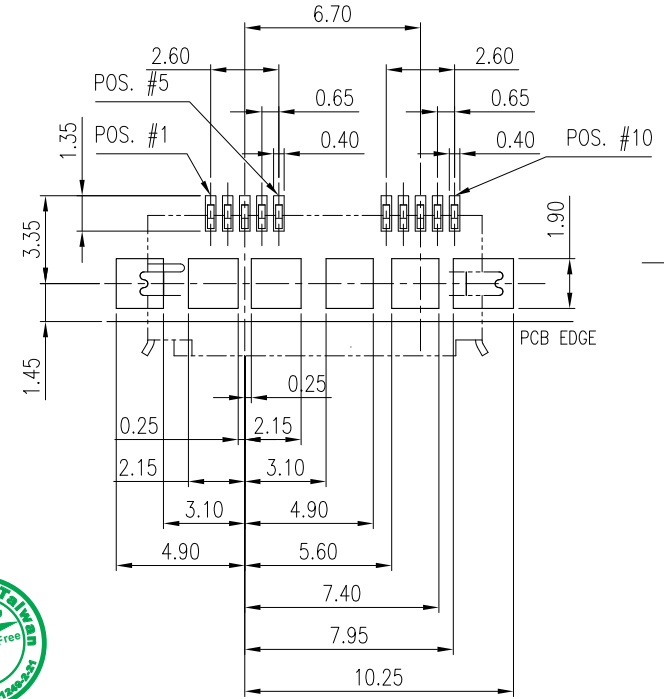
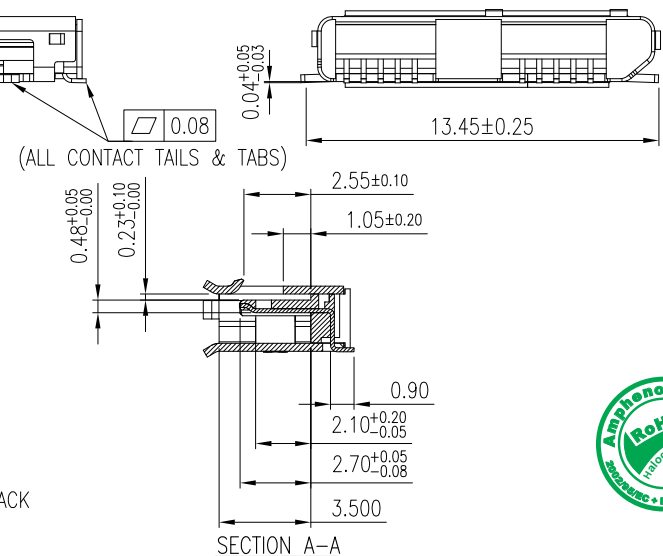
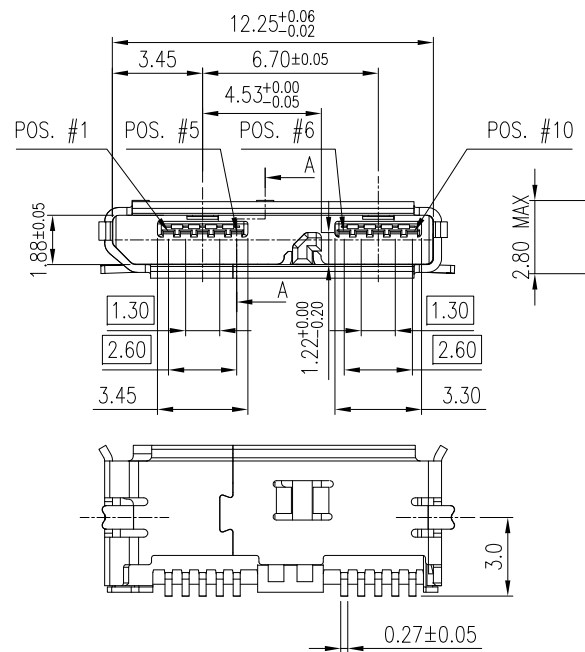
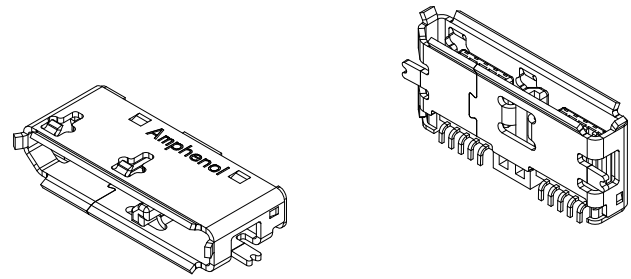
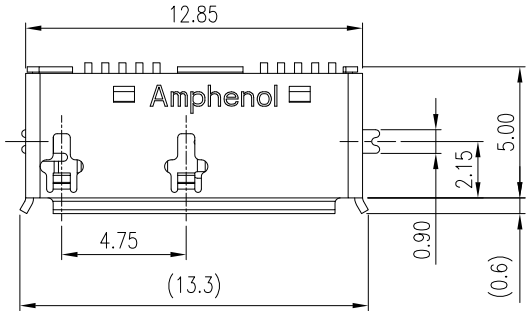


This document is the property of Amphenol Corporation and is delivered on the express condition that it is not to be disclosed, reproduced or used, in whole or in part, for manufacture or sale by anyone other than Amphenol Corporation without its prior consent, and that no right is granted to disclose or to use any information in this document.

The marking on this product doesn't contain environmental hazardous material and must follow one or more specifications per Material Specification SS-00259 for Sony GP compliant or per directive 2002/95/EC for RoHS compliant or per IEC 61249-2-21 for Halogen Free compliant.

**PRELIMINARY RELEASE
SUBJECT TO CHANGE**

REVISIONS				
SYM	ECN No.	DESCRIPTION	DATE	APPROVED
AX1		UNAPPROVED REVISION	10/09/2008	Hank Hsu
AX2		CHANGED SHELL'S THICKNESS	10/13/2008	Hank Hsu
AX3		MODIFIED DIMENSIONS	05/04/2009	Hank Hsu
AX4		MODIFIED DRAWING	05/08/2009	Hank Hsu
AX5		MODIFIED DRAWING	06/01/2009	Hank Hsu
AX6		MODIFIED P/N & CHANGED COLOR	06/15/2009	Hank Hsu
AX7		MODIFIED DIMENSION	07/22/2009	Hank Hsu
AX8		MODIFIED SHELL	10/16/2009	Hank Hsu
AX9		MODIFIED SHELL	11/09/2009	Hank Hsu



- NOTES:
- HOUSING: HIGH TEMP. THERMOPLASTIC, UL 94V-0, COLOR- BLACK
 - CONTACT: PHOSPHOR BRONZE, 0.15mm THICKNESS, 30μ" MIN. GOLD PLATED ON CONTACT AREA, GOLD FLASH PLATED ON SOLDERING TAIL, 80μ" MIN. NICKEL UNDER-PLATED OVERALL
 - METAL SHELL: STAINLESS, 0.3mm THICKNESS, GOLD FLASH PLATED ON THE SOLDERING TABS
 - THIS PRODUCT DOESN'T CONTAIN ENVIRONMENTAL HAZARDOUS MATERIALS PER DIRECTIVE 2002/95/EC FOR RoHS AND PER IEC 61249-2-21 FOR HALOGEN FREE COMPLIANT.



RECOMMENDED PCB LAYOUT- TOP VIEW
(GENERAL TOLERANCE: ±0.05)

TOLERANCE	APPROVALS	DATE	TITLE	UNIT	SIZE	PART No.
X. ±0.30	DRAWN Sondra Sang	11/09/2009	USB 3.0 CONNECTOR MICRO_B, RECEPTACLE R/A SMT TYPE	mm	A3	GSB3 431 33 HR
X.X ±0.20	CHECKED Chenny Yeh	11/09/2009				
X.XX ±0.20	APPROVED Hank Hsu	11/09/2009		SCALE	SHEET	DWG No.
X.XXX ±0.10	ANGULAR ±1°	UNLESS OTHERWISE SPECIFIED		NA	1 OF 1	GSB343133HR
	DWG TYPE CUST DWG	PROJECT CODE OTHER				REV. AX9

Amphenol®

Amphenol Corporation
Amphenol Taiwan Corporation