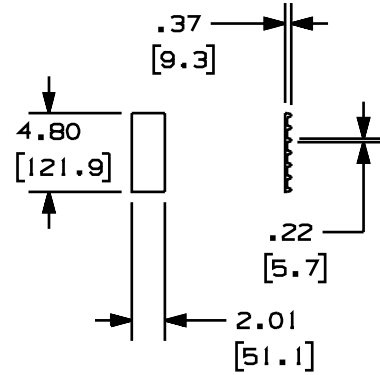
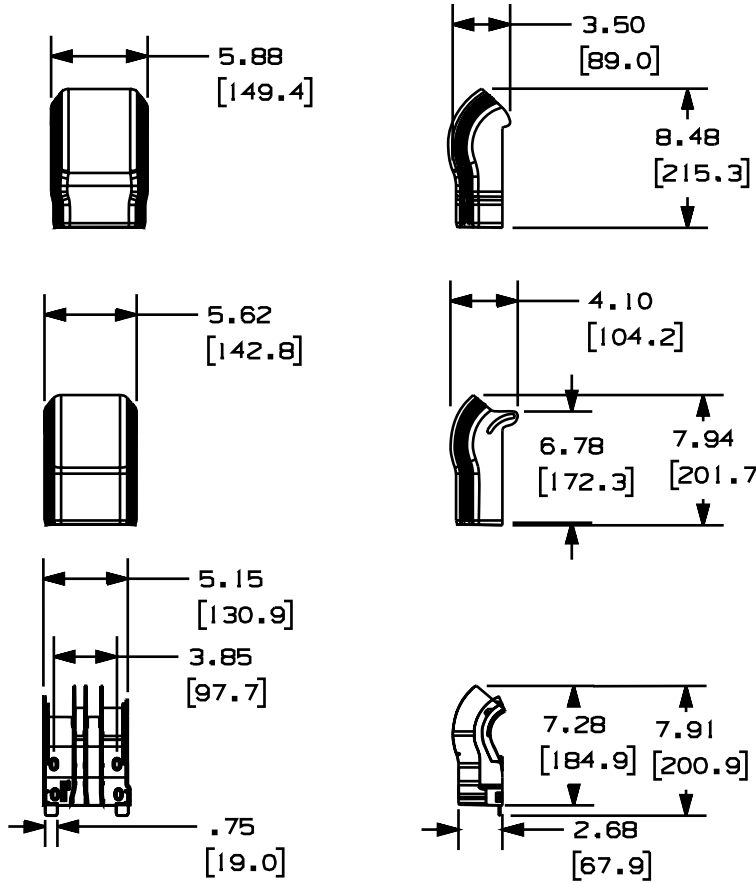
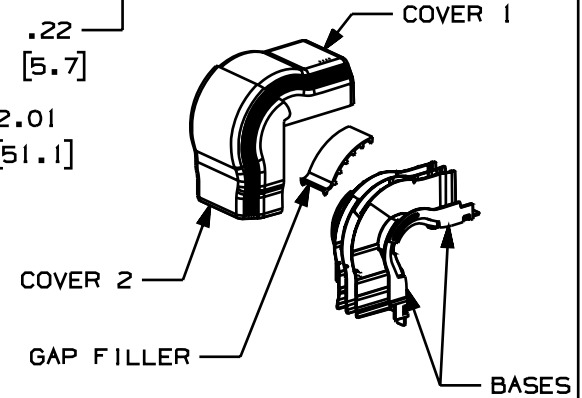


THIS COPY IS PROVIDED ON A RESTRICTED BASIS AND IS NOT TO BE USED IN ANY WAY DETRIMENTAL TO THE INTERESTS OF PANDUIT CORP.



PANDUIT PART NO.	WEIGHT
TGOC	19 LB/ 10 PCS (8820 g/ 10 PCS)



CAD FILENAME/LAYERS D37270DY\_DC\_TGOC\_00A.PRT

PANDUIT CORP. TINLEY PARK, ILLINOIS  
 TG OUTSIDE CORNER (TGOC)  
 CONTROL DRAWING

UNLESS OTHERWISE SPECIFIED,  
 DIMENSIONAL TOLERANCES ARE:  
 (.X) ± .01 (.XXX) ± .005  
 (.XX) ± .01 (.3) ANGLES ±

UNLESS OTHERWISE SPECIFIED,  
 ALL DIMENSIONS ARE GIVEN  
 IN INCHES, THIRD ANGLE PROJECTION.

DRAWN BY JHNU  
 DATE 4/10/00  
 DWTD JAWA

MAT'L: SEE NOTES ABOVE

SCALE NONE  
 DRAWING NO. 37270-61  
 DWG SIZE A

REV	DATE	BY	CHK	DESCRIPTION	ECN	R	CUST	SUP
R	4/10/00	JHNU	JAWA	RELEASED TO PRODUCTION	37270-61		HIW	HIW