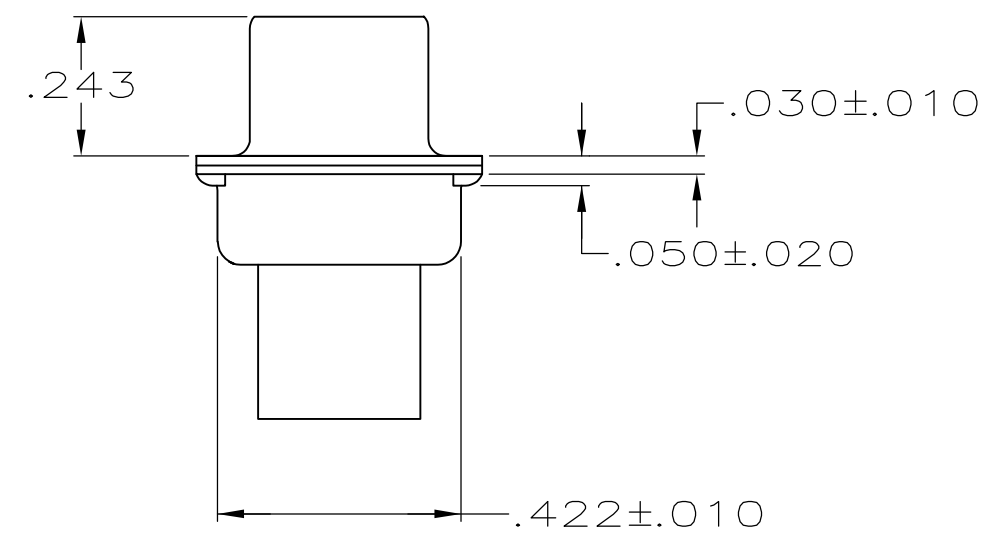
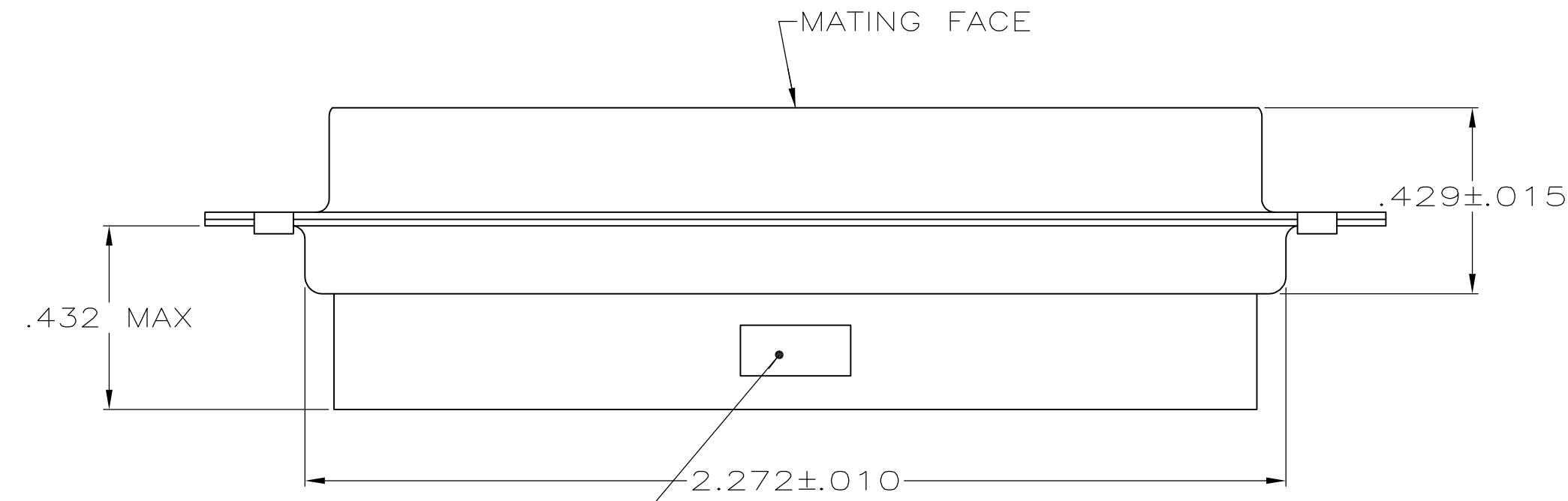
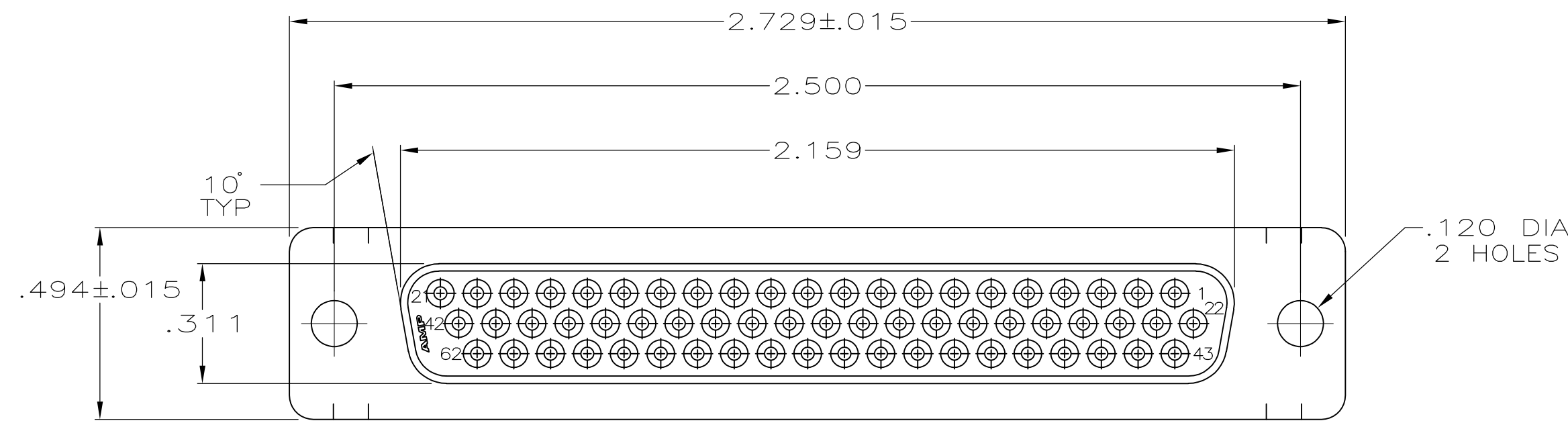


THIS DRAWING IS UNPUBLISHED. RELEASED FOR PUBLICATION
 © COPYRIGHT - By - ALL RIGHTS RESERVED.

LOC		DIST		REVISIONS					
GP		00		P	LTR	DESCRIPTION	DATE	DWN	APVD
				P		REVISED PER ECO-11-004835	11MAR11	RK	HMR



TYCO, PART NO & DATE CODE, MARKED IN AREA INDICATED, ON FAR SIDE

- 1. CONNECTOR ACCEPTS 22 DF SOCKET CONTACTS, RETENTION TINES ARE AN INTEGRAL PART OF INSERT.
- 2. FLAME RETARDANT 94V-0 RATED GLASS FILLED NYLON, COLOR: BLACK.
- 3. CARBON STEEL.
- 4. .000200 MIN. TIN PLATE OVER .000100 MIN. COPPER UNDERPLATE.

1658684-1
PART NUMBER

THIS DRAWING IS A CONTROLLED DOCUMENT.		DWN	L. BAUM	02JAN04		TE Connectivity					
DIMENSIONS: INCHES		CHK	S. BOLASH	02JAN04		NAME					
TOLERANCES UNLESS OTHERWISE SPECIFIED:		APVD	M. WALMSLEY	02JAN04		PRODUCT SPEC					
0 PLC ± - 1 PLC ± - 2 PLC ± - 3 PLC ± .005 4 PLC ± - ANGLES ± 2°		APPLICATION SPEC		108-1268		RECEPTACLE ASSEMBLY, SIZE 4, 62 POSN, HDP-22, AMPLIMITE®					
MATERIAL MOLDED PARTS: SHELLS:		FINISH SHELLS:		WEIGHT		SIZE		CAGE CODE	DRAWING NO	RESTRICTED TO	
△ △		△ △		-		A2		00779	C=1658684	-	
CUSTOMER DRAWING						SCALE		SHEET		REV	
						3:1		1 of 1		P	

1658684