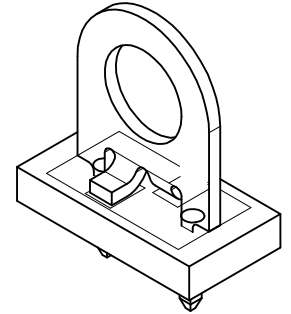
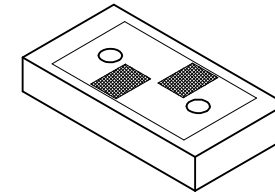
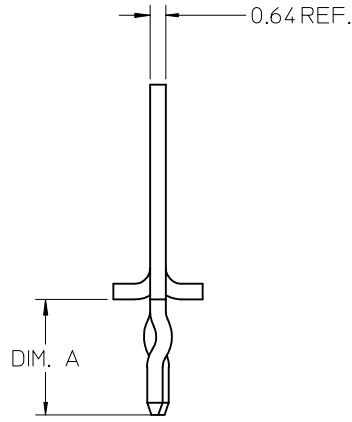
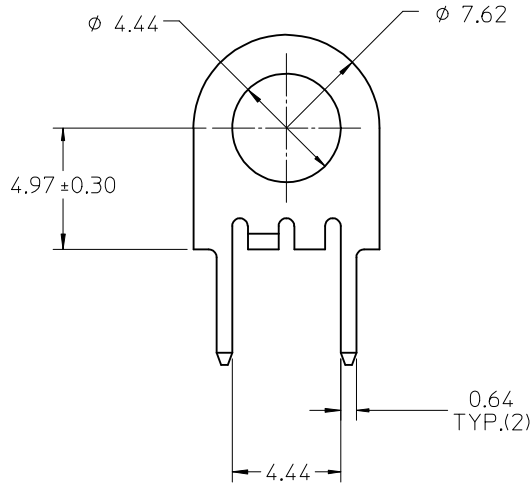
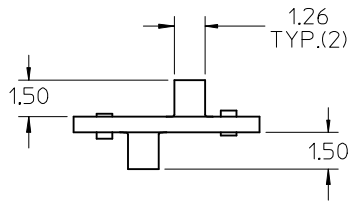
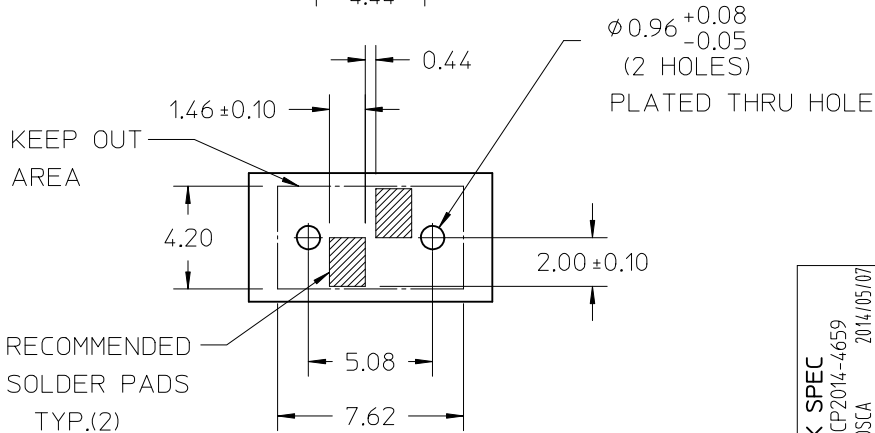


MATERIAL P/N	PCB THK.	DIM. A
46548-0001	---	3.60
46548-0002	---	4.18
46548-0003	---	4.57



HEATSINK HOOK, INSTALLATION PROCESS



RECOMMENDED PCB LAYOUT

NOTES:

1. MATERIAL: ALLOY 260 BRASS
2. PLATING: TIN 2.54μ OVER NICKEL 1.27μ
3. THIS PART CONFORMS TO CLASS B REQUIREMENTS OF COSMETIC SPEC PS-45499-002
4. PACKAGING SPECIFICATION PK-46548-0001

ADD PK SPEC EC NO: UCP2014-4659 DRAWN: DROSCA 2014/05/07 CHKD: APPR: JCOMERC I 2014/05/30 REV B2	QUALITY SYMBOLS ▽=0 ▽=0	GENERAL TOLERANCES (UNLESS SPECIFIED) mm INCH 4 PLACES ± --- ± --- 3 PLACES ± --- ± --- 2 PLACES ± 0.25 ± --- 1 PLACE ± 0.5 ± --- ANGULAR ± 1/2°	DIMENSION STYLE MM ONLY DRAWN BY DATE DROSCA 04/26/2007 CHECKED BY DATE JCOMERC I 04/26/2007 APPROVED BY DATE JCOMERC I 04/26/2007	SCALE 5:1 DESIGN UNITS METRIC THIRD ANGLE PROJECTION	TITLE HEATSINK HOOK
	DRAFT WHERE APPLICABLE MUST REMAIN WITHIN DIMENSIONS		MATERIAL NO. SEE TABLE	DOCUMENT NO. SD-46548-001	SHEET NO. 1 OF 1
	MOLEX INCORPORATED				
	THIS DRAWING CONTAINS INFORMATION THAT IS PROPRIETARY TO MOLEX INCORPORATED AND SHOULD NOT BE USED WITHOUT WRITTEN PERMISSION				