

D

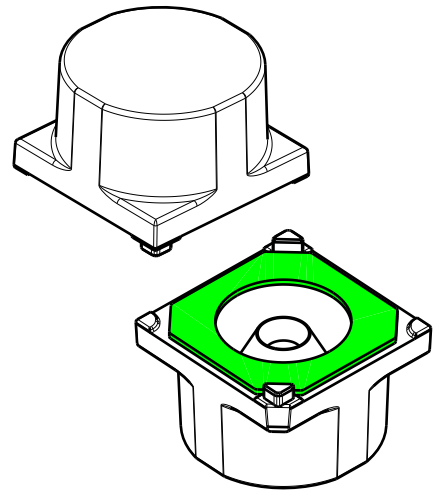
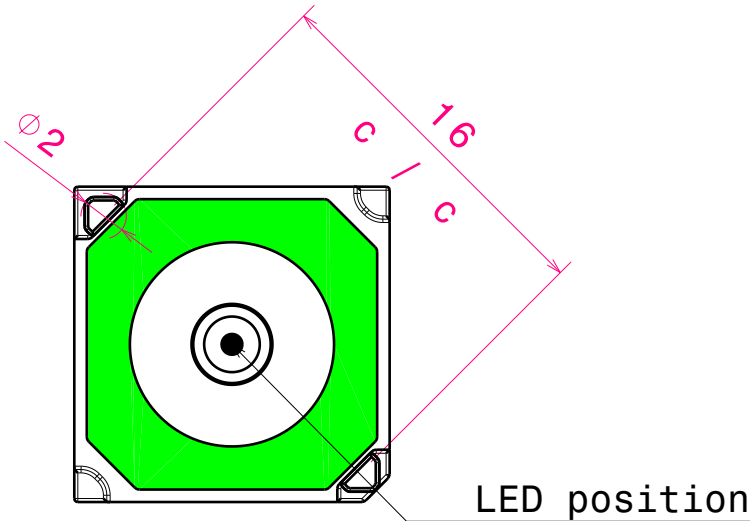
C

B

A

4

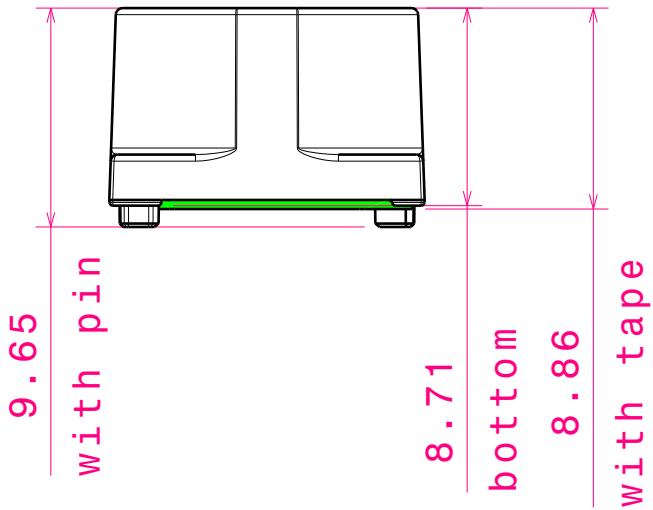
4



Isometric view
Scale: 2:1

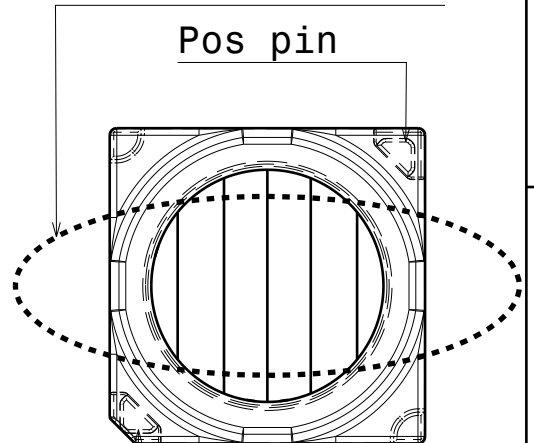
3

3



Oval direction

Pos pin

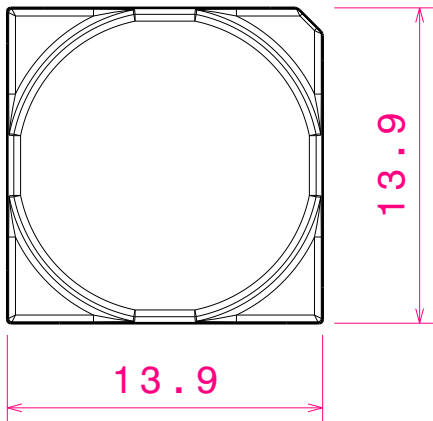


Pos pin

Oval version
TOP VIEW

2

2



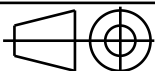
INDEX	DESCRIPTION
1	VERONICA-SQ-MINI-TAPE
2	VERONICA-SQ-MINI

Tolerances if not otherwise shown
According to DIN ISO 2768-1
Linear measures:
up to 30mm class M, otherwise class C
According to DIN ISO 2768-2
Form and position: class L

LEDiL

Ledil Oy
Salorankatu 10
FIN 24240 SALO
Finland

THIRD ANGLE PROJECTION:



DRAWING TITLE

VERONICA-SQ-MINI

This drawing is the property
of LEDiL Oy. It may not be
reproduced, copied or
communicated without a written
agreement with LEDiL Oy.

SIZE PART NUMBER

A4

-

SCALE 3:1 WEIGHT

SHEET 1/1

D

A

1

1