

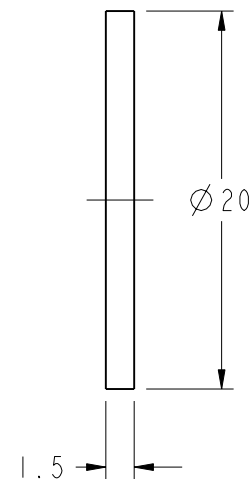
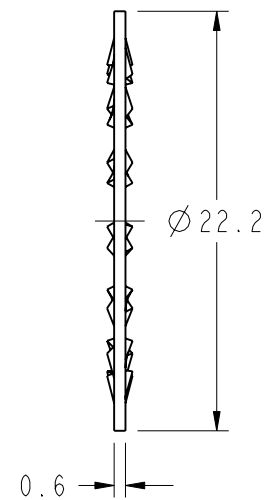
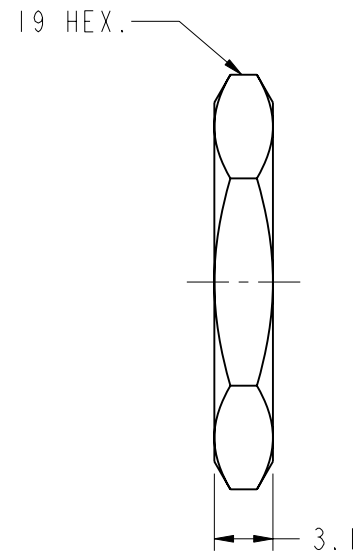
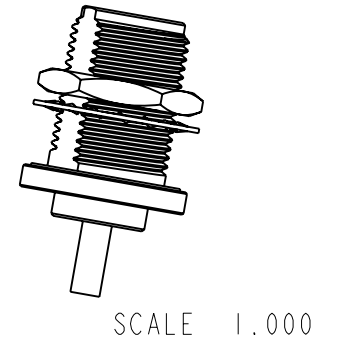
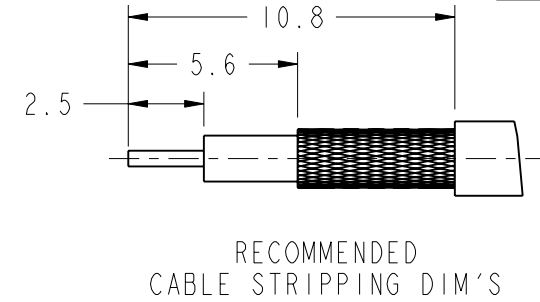
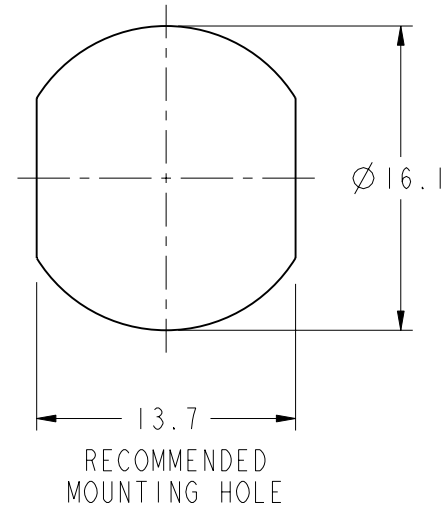
NOTES:

1. MATERIALS AND FINISHES:
 BODY - BRASS, NICKEL PLATING
 CONTACT - BRASS & PHOSPHOR BRONZE, GOLD PLATING
 INSULATOR - PTFE, NATURAL
2. ELECTRICAL:
 A. IMPEDANCE: 50 OHM
 B. FREQUENCY RANGE: DC - 6 GHz
 C. DIELECTRIC WITHSTANDING VOLTAGE: 1000 VRMS
3. MECHANICAL:
 A. DURABILITY: 500 CYCLES MIN.
 B. TEMPERATURE RANGE: -65° C TO +165° C
4. CRIMPED FERRULE
 HEX. CRIMP SIZE .128"
5. CRIMPED CONTACT PIN
 SQ. CRIMP SIZE 0.7(mm)
6. MAX. PANEL THICKNESS=6.5mm

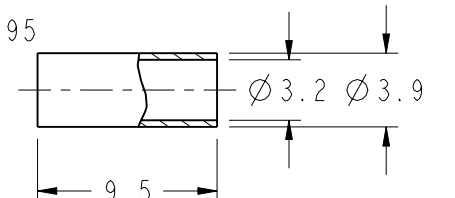
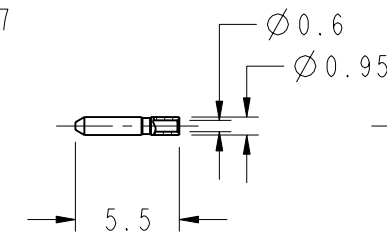
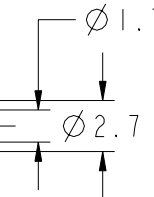
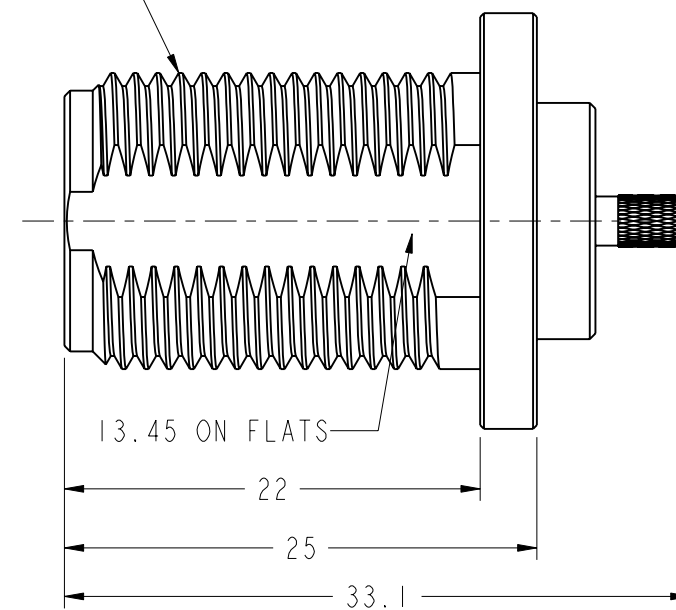
THIRD ANGLE PROJ.

REVISIONS

REV	DESCRIPTION	DATE	ECO	APPR
A	RELEASE TO MFG.	10/7/99	43148	CPM
B	BARREL WAS CHANGED	11-03-03'	43268	CPM
C	LOCK WASHER WAS CHANGED	15-Feb-12	45499	SH
D	SYNC DRAWING IN DANBURY AND ARFA	18-Jun-13	49515	HH



5/8-24UNEF-2A



CUSTOMER OUTLINE DRAWING
 ALL OTHER SHEETS ARE FOR INTERNAL USE ONLY

UNLESS OTHERWISE SPECIFIED, DIMENSIONS ARE IN METRIC AND TOLERANCES ARE:
 0.5 - 6mm ±0.1mm 6 - 30mm ±0.2mm 30 - 120mm ±0.3mm ANGLES ±1°

NOTICE - These drawings, specifications, or other data (1) are, and remain the property of Amphenol corp. (2) must be returned upon request; and (3) are confidential and not to be disclosed to any person other than those to whom they are given by Amphenol Corp. the furnishing of these drawings, specifications, or other data by Amphenol Corp., or to any other person to anyone for any purpose is not to be regarded by implication or otherwise in any manner licensing, granting rights to permitting such holder or any other person to manufacture, use or sell any product, process or design, patented or otherwise, that may in any way be related to or disclosed by said drawings, specifications, or other data.

MATERIAL	DRAWN F. WANG	DATE 09-Apr-13
REFERENCE AND	ENGINEER CISSY	DATE 21-Jul-08
CONFIGURATION LEVEL:	APPROVED S. HSIEH	DATE 19-Mar-12
FINISH	CAD FILE I:\N\N6421GI-NT3G-316U-50	

TITLE N BULKHEAD CRIMP JACK (FOR RG-174/U, 188A/U, 316/U)
SCALE: 2.5:1.0
DWG SIZE B

SHEET 2 OF 2
CODE ID 74868
REV D

Amphenol RF Danbury CT USA, Tainan, Taiwan, Shenzhen, China www.amphenolrf.com
DRAWING NO. N6421GI-NT3G-316U-50
ITEM NO. 036421AAB36NA5F
PART NO. 82-6093-RFX