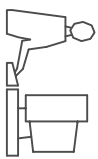
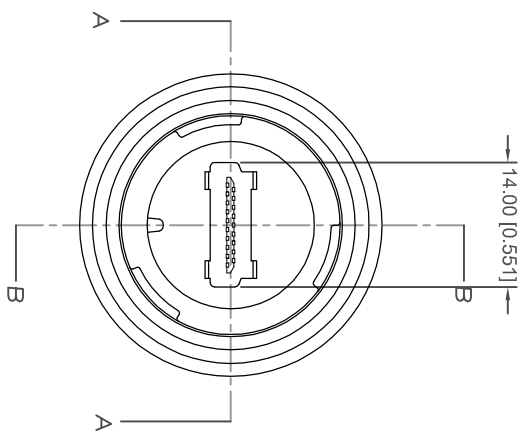
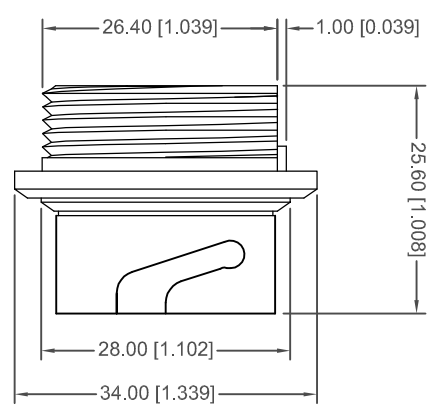
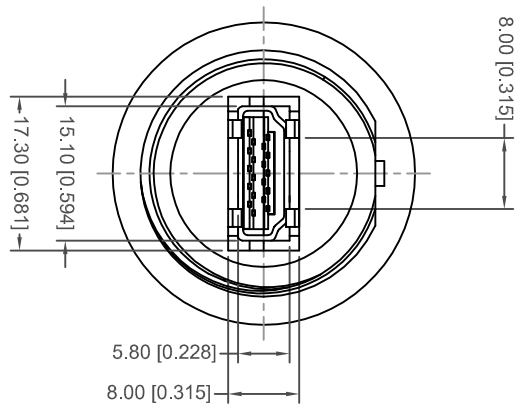


TOLERANCE UNLESS OTHERWISE SPECIFIED IN MM:		ANGLE °	
0.0	± 0.20		
0.00	± 0.10		
0.000	± 0.05		

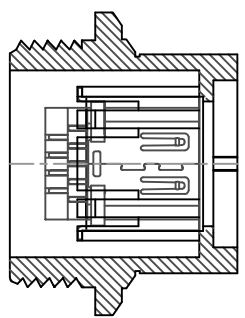
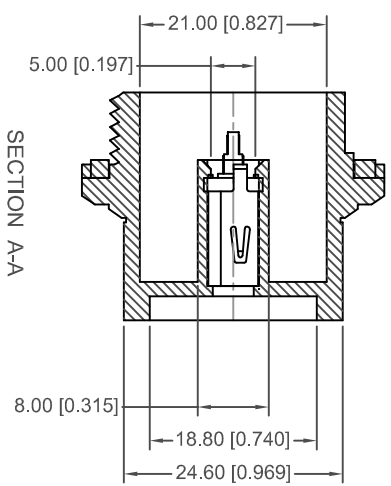
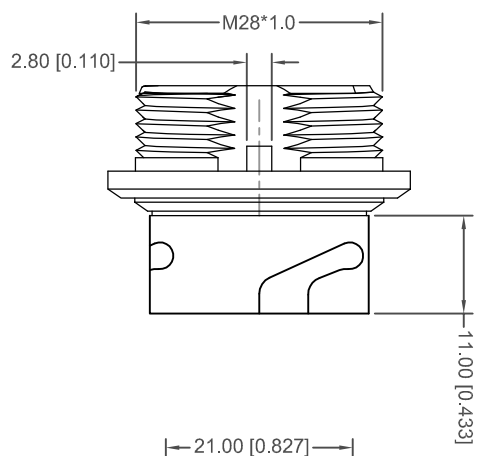
THIS IS A C.A.D. GENERATED DRAWING
DO NOT MAKE MANUAL REVISIONS TO MASTER.



ISSUE NUMBER	
1	ORIGINAL
2	REMOVE HEX NUT R.STAMONICA JUNE:18/2014



1. MATERIAL :
 - 1-1. EXTERNAL HOUSING: PBT UL94V-0 ; COLOR : BLACK
 - 1-2. HOUSING: LCP UL94V-0 ; COLOR : BLACK
 - 1-3. CONTACT: PHOSPHOR BRONZE
 - 1-4. SHELL: BRASS
2. FINISH :
 - 2-1. CONTACT : 15 MICRO INCHES MIN. GOLD PLATED
 - SOLDER TAILS: BRIGHT TIN 100U"
 - UNDERPLATED NICKEL OVER ALL 50U" MIN
- 2-3. SHELL: GOLD FLASH
3. WATER PROOF: IPX7



**WATERPROOF HDMI BLACK TYPE A, 180°
(FEMALE)**

ACAD REFERENCE NO.: 690-W19-260-012

DRAWN: R.STAMONICA DATE: JAN.09/2014

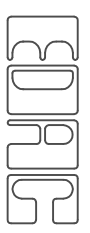
CHECKED: DATE:

PART NUMBER: 690-W19-260-012 SHEET 1 OF 2

DRAWING NUMBER: 690-W19-260-012 ISSUE: 2



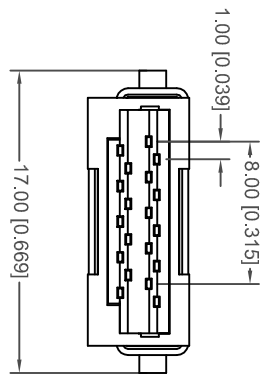
THIS SERIES FULLY CONFORMS TO THE EUROPEAN UNION DIRECTIVES 2002/95/EC AND 2002/96/EC FOR ROHS COMPLIANCY.



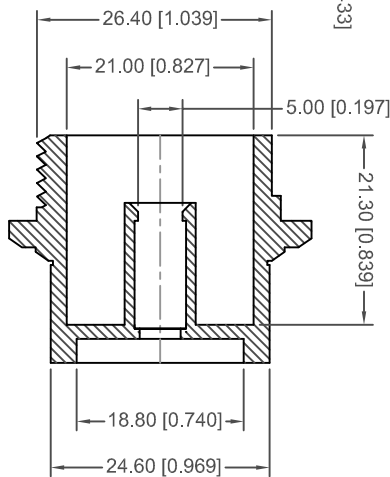
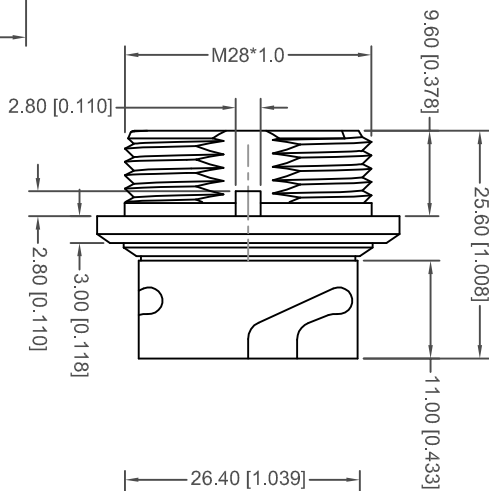
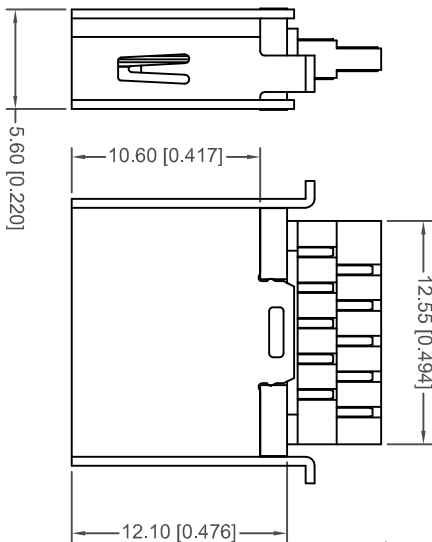
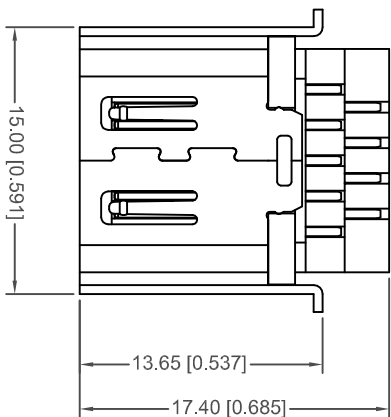
EDAC INC
TORONTO, ONTARIO
CANADA

YOUR CONNECTION TO QUALITY & SERVICE

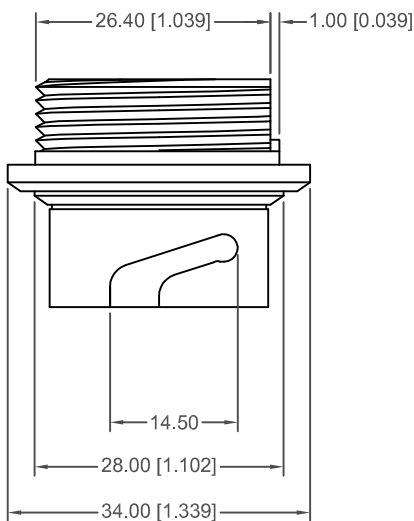
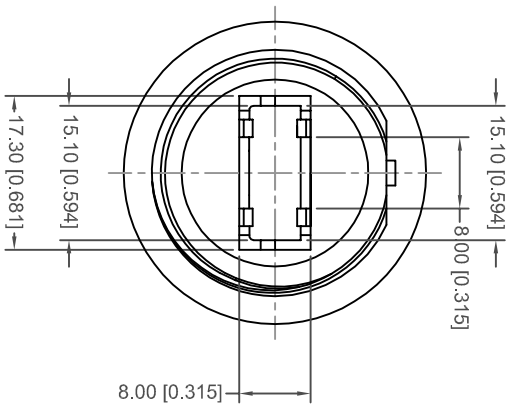
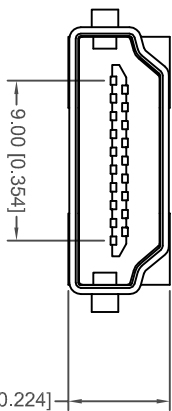
THESE DRAWINGS AND SPECIFICATIONS ARE THE PROPERTY OF EDAC INC. AND SHALL NOT BE REPRODUCED OR COPIED OR USED AS THE BASIS FOR THE MANUFACTURE OR SALE OF APPARATUS WITHOUT WRITTEN PERMISSION.



HDMI CONNECTOR
SCALE 2:1



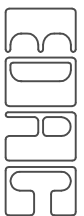
EXTERNAL HOUSING



WATERPROOF HDMI BLACK TYPE A, 180°
(FEMALE)



THIS SERIES FULLY CONFORMS TO THE
EUROPEAN UNION DIRECTIVES 2002/95/EC
AND 2002/96/EC FOR ROHS COMPLIANCY.



EDAC INC
TORONTO, ONTARIO
CANADA

YOUR CONNECTION TO QUALITY & SERVICE

THESE DRAWINGS AND SPECIFICATIONS
ARE THE PROPERTY OF EDAC INC. AND
SHALL NOT BE REPRODUCED OR COPIED
OR USED AS THE BASIS FOR THE
MANUFACTURE OR SALE OF APPARATUS
WITHOUT WRITTEN PERMISSION.

ACAD REFERENCE NO.: 690-W19-260-012

DRAWN: R.STA.MONICA DATE: JAN.09/2014

CHECKED: DATE:

PART NUMBER

690-W19-260-012

SHEET 2 OF 2

DRAWING NUMBER

690-W19-260-012

ISSUE

2