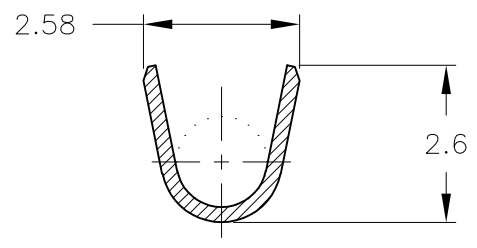
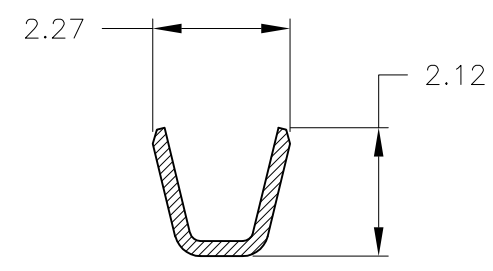


THIS DRAWING IS UNPUBLISHED. RELEASED FOR PUBLICATION  
 © COPYRIGHT - By - ALL RIGHTS RESERVED.

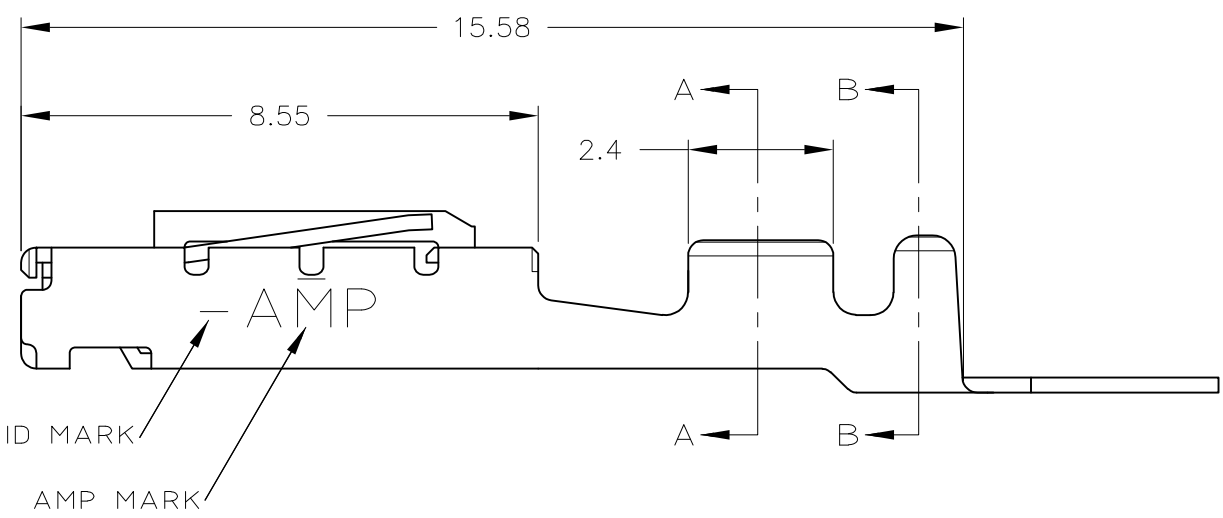
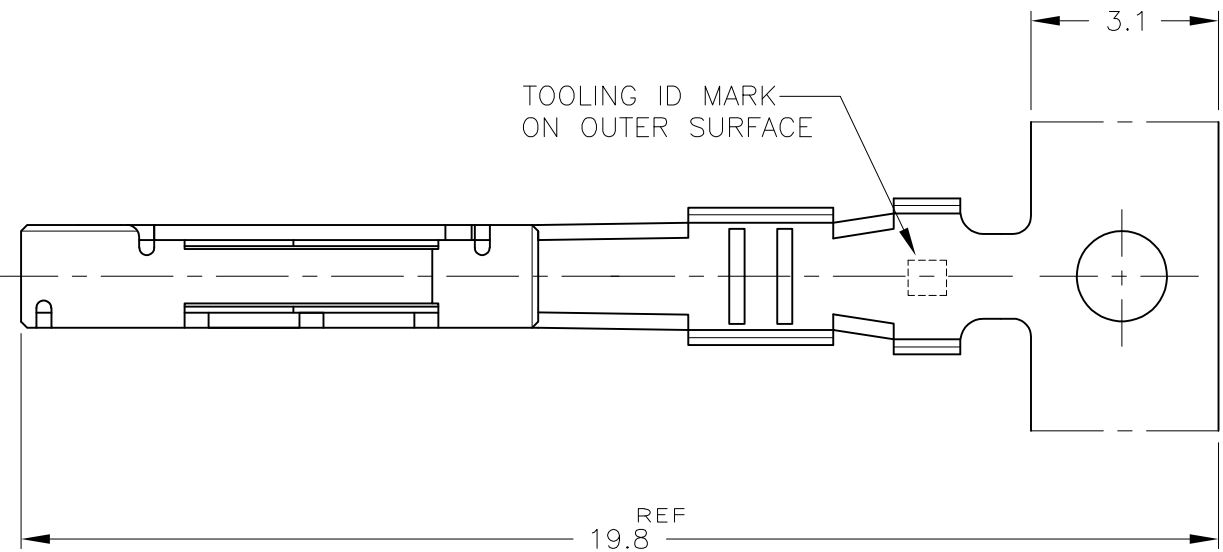
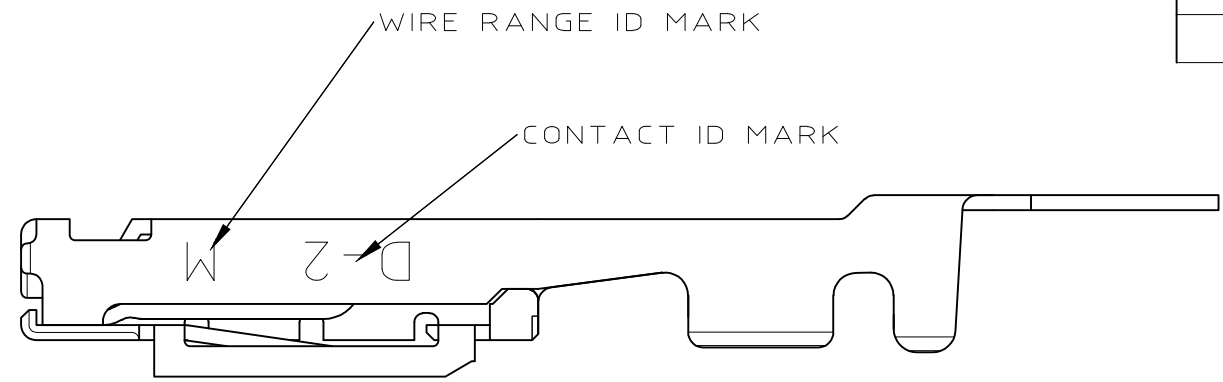
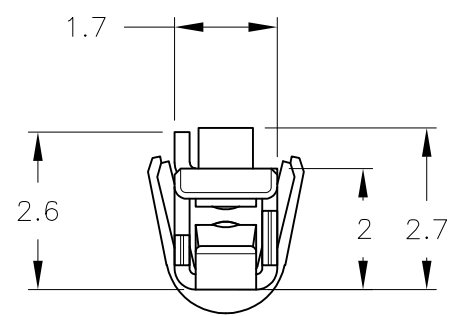
LOC		REVISIONS			
P	LTR	DESCRIPTION	DATE	DWN	APVD
	D	REVISED PER ECR-15-011723	08AUG2015	Y.O	E.T
	E	REVISED PER ECR-16-016514	23NOV2016	K.T	E.T



SECT B-B



SECT A-A



-1:AS SHOWN

NOTES  
 1. FINISH (CONTACT AREA): 0.38 μm MIN GOLD PLATING OVER Ni PLATING

THIS DRAWING IS A CONTROLLED DOCUMENT.

DIMENSIONS: mm	TOLERANCES UNLESS OTHERWISE SPECIFIED: 10 ≥ : ±0.3 >10 : ±0.35 >30 : ±0.4 ANGLE : ±3°
-------------------	---

MATERIAL: (COPPER ALLOY)  
 FINISH: SEE NOTE

DWN: K.IKEDA 7/DEC/'98
CHK: N.MATSUBARA 7/DEC/'98
APVD: I.HASEGAWA 7/DEC/'98
PRODUCT SPEC: 108-5619
APPLICATION SPEC: 114-5258
WEIGHT: -
CUSTOMER DRAWING

WIRE RANGE: AWG #22~#18		INSULATION DIA: 1.26~1.90	
<b>STE</b> TE Connectivity			
NAME: REC CONTACT M SIZE DYNAMIC D-2 SERIES			
SIZE: A3	CAGE CODE: 00779	DRAWING NO: C-1318105	RESTRICTED TO: -
SCALE: 8:1		SHEET: 1 OF 1	REV: E