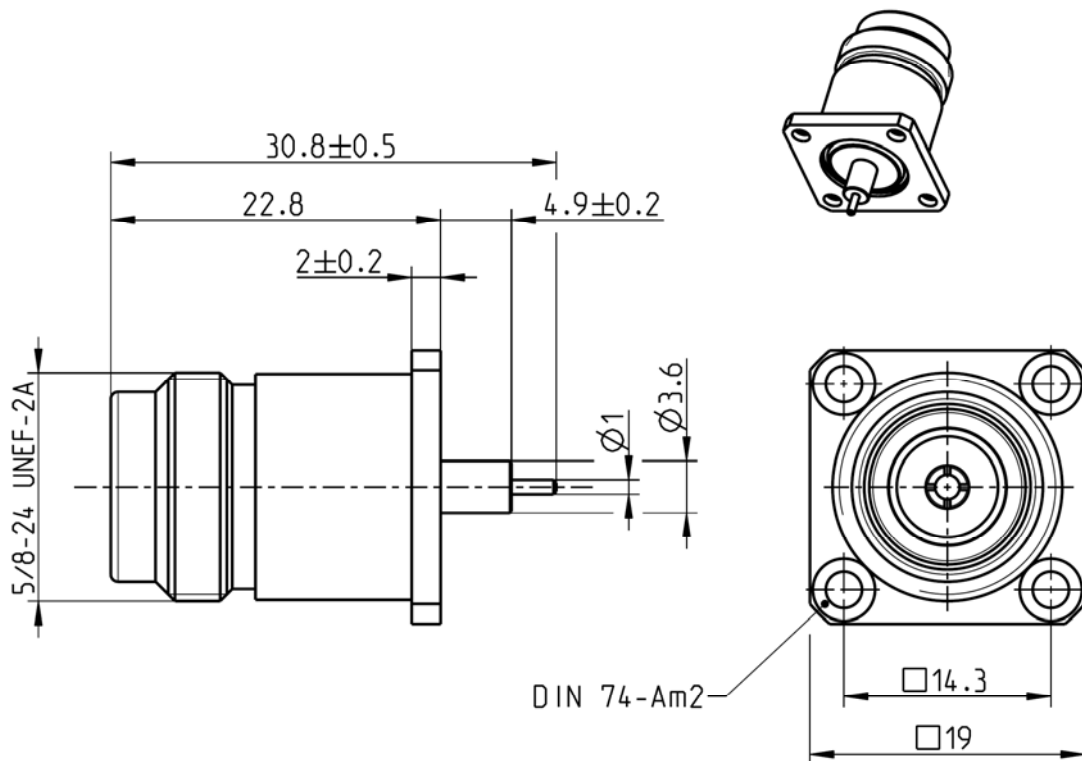


SnapN
50 Ω

PANEL JACK

53QK40A-500N5



All dimensions are in mm; tolerances according to ISO 2768 m-H

Interface

According to IEC 60169-16, MIL-PRF-39012, CECC 22210

Documents

Panel piercing B 108

Material and plating

Connector parts

Center contact
Outer contact
Dielectric

Material

Beryllium copper
Brass
PTFE

Plating

AuroDur, gold plated
White bronze(e.g. Optalloy®)

SnapN
50 Ω

PANEL JACK

53QK40A-500N5

Electrical data

| | |
|---|---|
| Impedance | 50 Ω |
| Frequency | DC to 11 GHz |
| Return loss | ≥ 30 dB, DC to 2 GHz ≥ 20 dB, 2 to 3.5 GHz |
| Insertion loss | ≤ 0.05 dB x √ f [GHz] |
| Insulation resistance | ≥ 5 x10 ³ MΩ |
| Center contact resistance | ≤ 1.0 mΩ |
| Outer contact resistance | ≤ 1.0 mΩ |
| Test voltage | 2500 V rms |
| Working voltage | 500 V rms |
| RF-leakage | -90 dB @ 3 GHz -80 dB @ 6 GHz |
| Intermodulation (3 rd order) | ≤ -155 dBc @ 1.8 GHz (2 x 43 dBm) |

Mechanical data

| | |
|-----------------------------------|-------------|
| Mating cycles | min. 200 |
| Center contact captivation: axial | ≥ 28 N |
| radial | ≥ 3 Ncm |
| Engagement force | 30 N (typ.) |
| Disengagement force | 30 N (typ.) |

Environmental data

| | |
|---------------------|---------------------------------|
| Temperature range | -40°C to +125°C |
| Thermal shock | MIL-STD-202, Meth. 107, Cond. B |
| Corrosion | MIL-STD-202, Meth. 101, Cond. B |
| Vibration | MIL-STD-202, Meth. 204, Cond. A |
| Shock | MIL-STD-202, Meth. 213, Cond. I |
| Moisture resistance | MIL-STD-202, Meth. 106 |
| RoHS | compliant |

Tooling

N/A

Suitable cables

N/A

Weight

Weight 26 g/pce

While the information has been carefully compiled to the best of our knowledge, nothing is intended as representation or warranty on our part and no statement herein shall be construed as recommendation to infringe existing patents. In the effort to improve our products, we reserve the right to make changes judged to be necessary.

| Draft | Date | Approved | Date | Rev. | Engineering change number | Name | Date |
|--|----------|-------------|----------|------|--|-------------|---------------|
| Hauke Schütt | 02/02/05 | J_Gramsamer | 31.03.15 | c00 | 15-0397 | J_Krautenb. | 31.03.15 |
| Rosenberger Hochfrequenztechnik GmbH & Co. KG P.O.Box 1260 D-84526 Tittmoning Germany www.rosenberger.de | | | | | Tel.: +49 8684 18-0 email: info@rosenberger.de | | Page 2 / 2 |