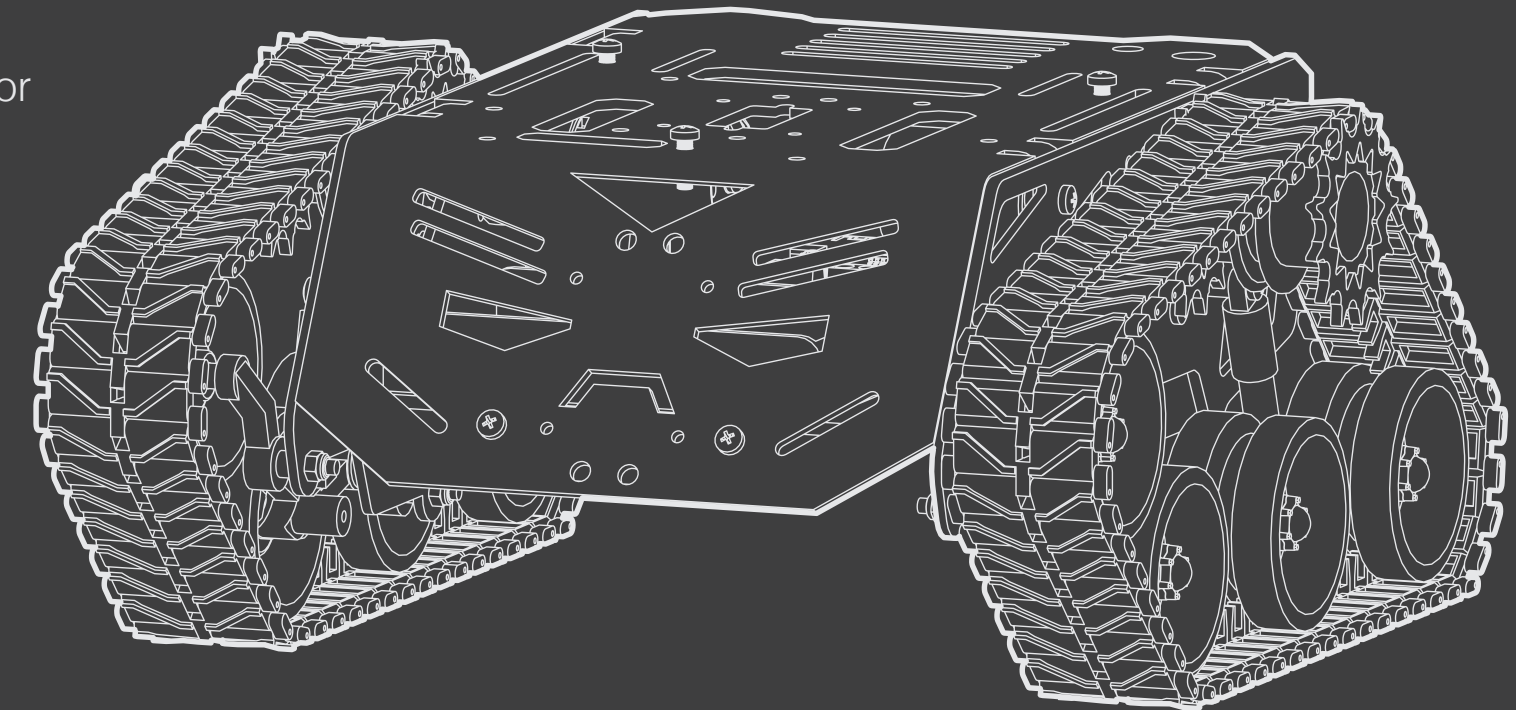


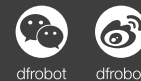
# DEVASTATOR

## Tank Mobile Platform Instrution Manual

Metal DC Gear Motor



网站: [www.dfrobot.com.cn](http://www.dfrobot.com.cn)  
电话: 86-21-61620183  
技术支持: [Techsupport@dfrobot.com](mailto:Techsupport@dfrobot.com)  
地址: 上海市浦东新区亮秀路112号Y1座615室



dfrobot dfrobot

© 本说明书最终解释权归DFRobot所有

Website: [www.dfrobot.com](http://www.dfrobot.com)  
Tel: 86-21-61620183  
Service: [Techsupport@dfrobot.com](mailto:Techsupport@dfrobot.com)  
Address: Rm. 615, Bldg Y1, NO.112, Liangxiu Rd., Pudong, China



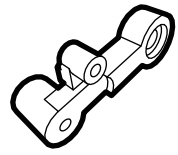
dfrobot dfrobot dfrobotcn

© DFRobot has the final authority of interpretation on this manual.

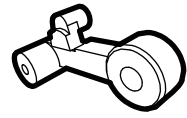


Parts List

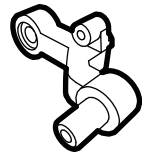
Parts List



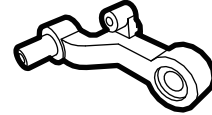
A1-1 x1



A1-2 x1



A2-1 x2



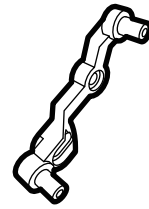
A2-2 x2



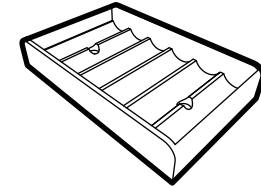
A3 x6



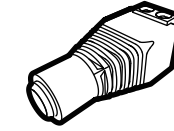
A4-1 x1



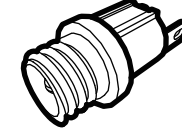
A4-2 x1



F1 x1



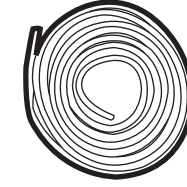
F2 x1



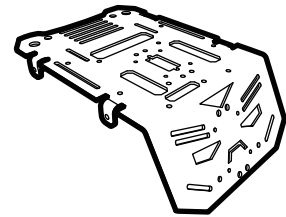
F3 x1



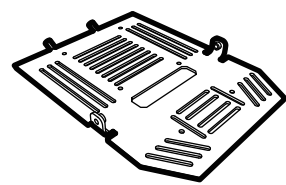
F4 x1



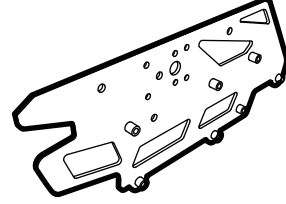
F5 x1



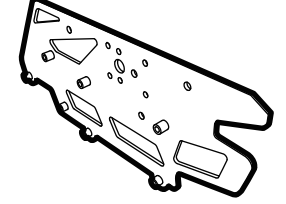
B1 x1



B2 x1



B3 x1

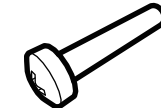


B4 x1



C1 x2

M2.6x14mm  
Phillips Self Tapping Screw



C2 x16

M3x16mm  
Phillips Pan Head Machine Screw



C3 x20

M3  
Locknut



C4 x16

M3x6mm  
Phillips Pan Head Machine Screw



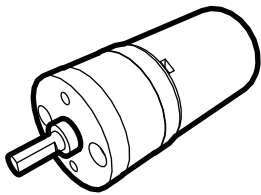
C5 x2

M3x3mm  
Phillips Pan Head Machine Screw

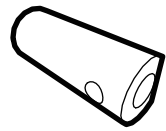


C6 x8

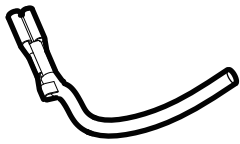
M2.6x8mm  
Phillips Self Tapping Screw



D1 x2



D2 x2



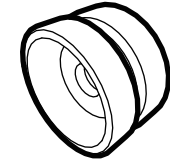
D3 x4



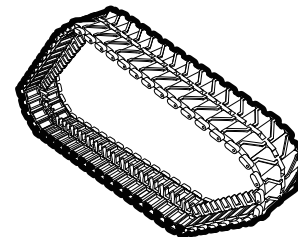
E1 x2



E2 x8



E3 x8



E4 x2



C7 x2

M3x10mm  
Phillips Flat Head Machine Screw



C8 x4

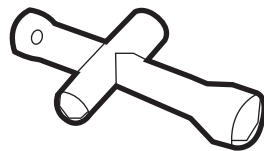
M3x6mm  
Hexagonal Standoffs



Essential Tools

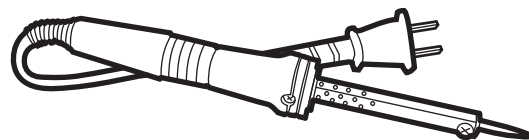


M3 Phillips Screwdriver

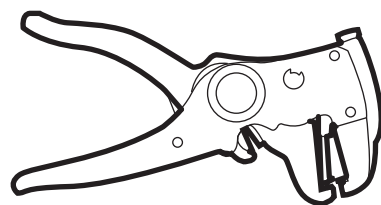


Small Cross Sleeve Wrench

Selection Tool

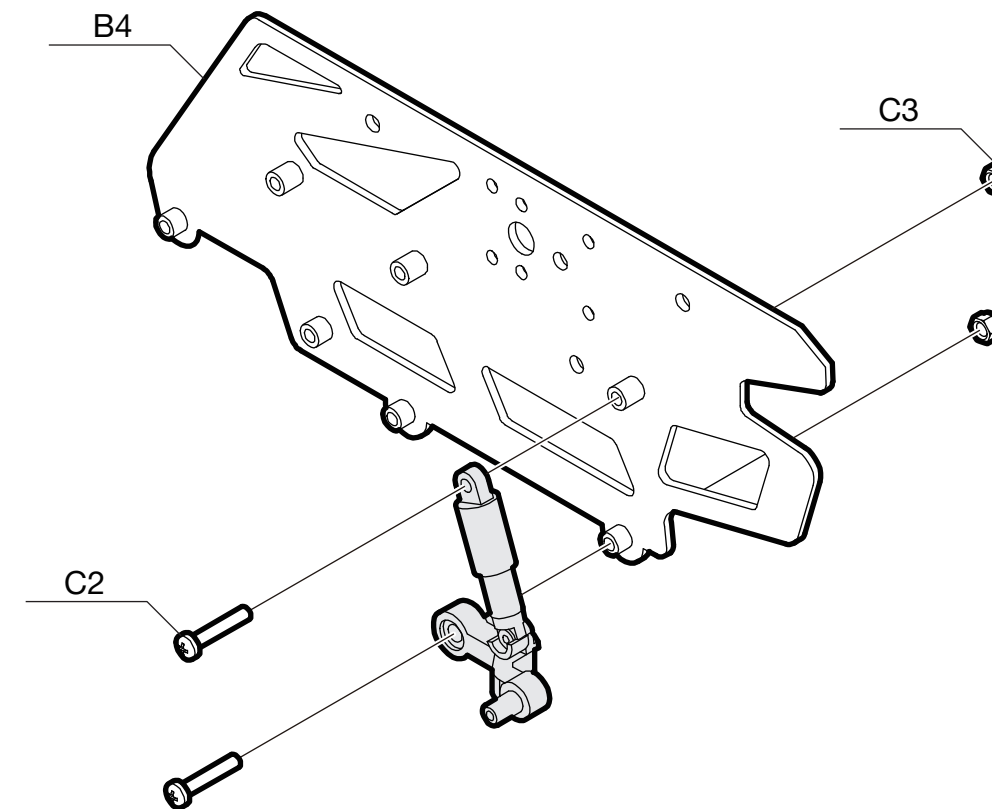
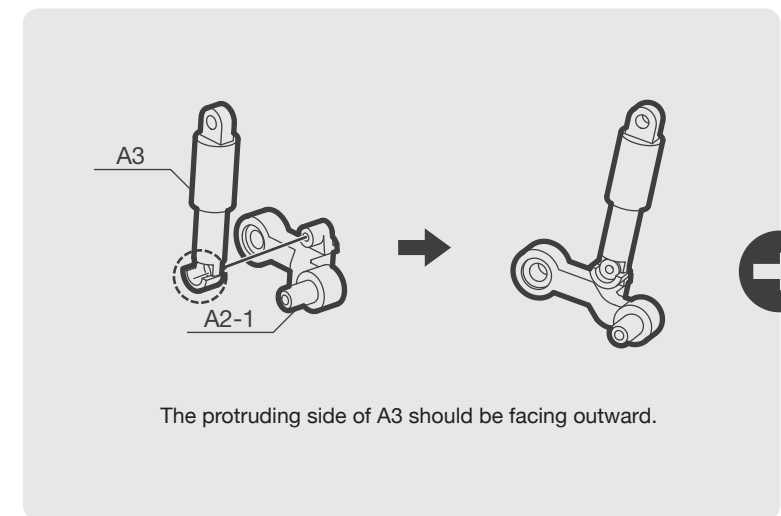


Soldering Iron

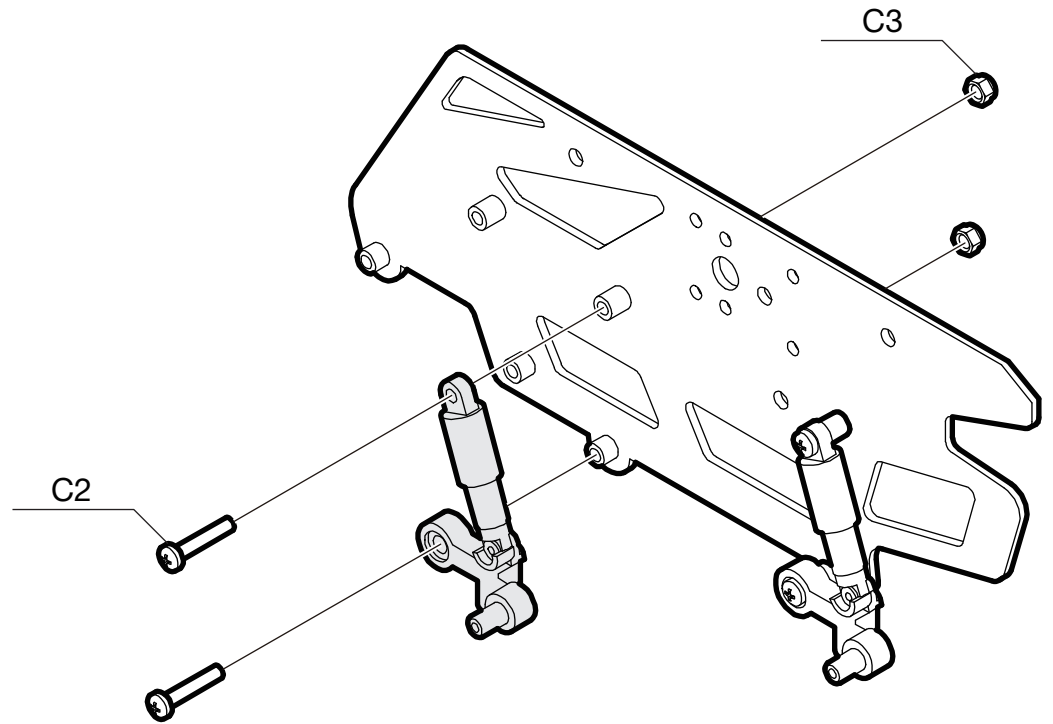
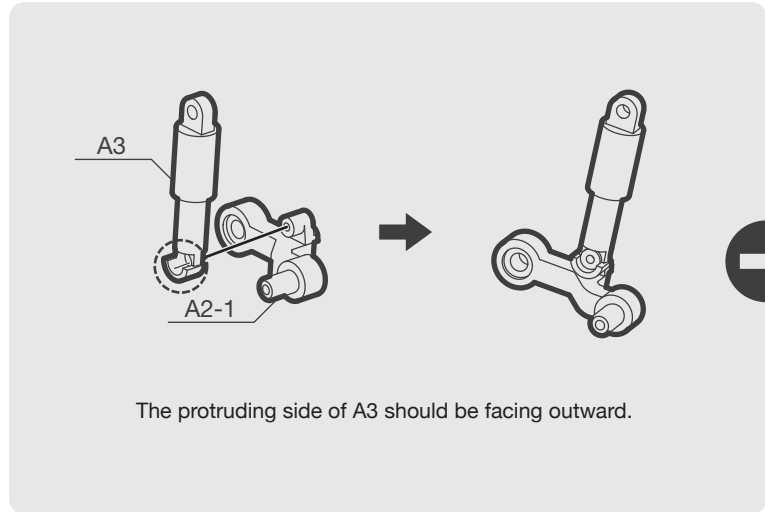


Wire Strippers

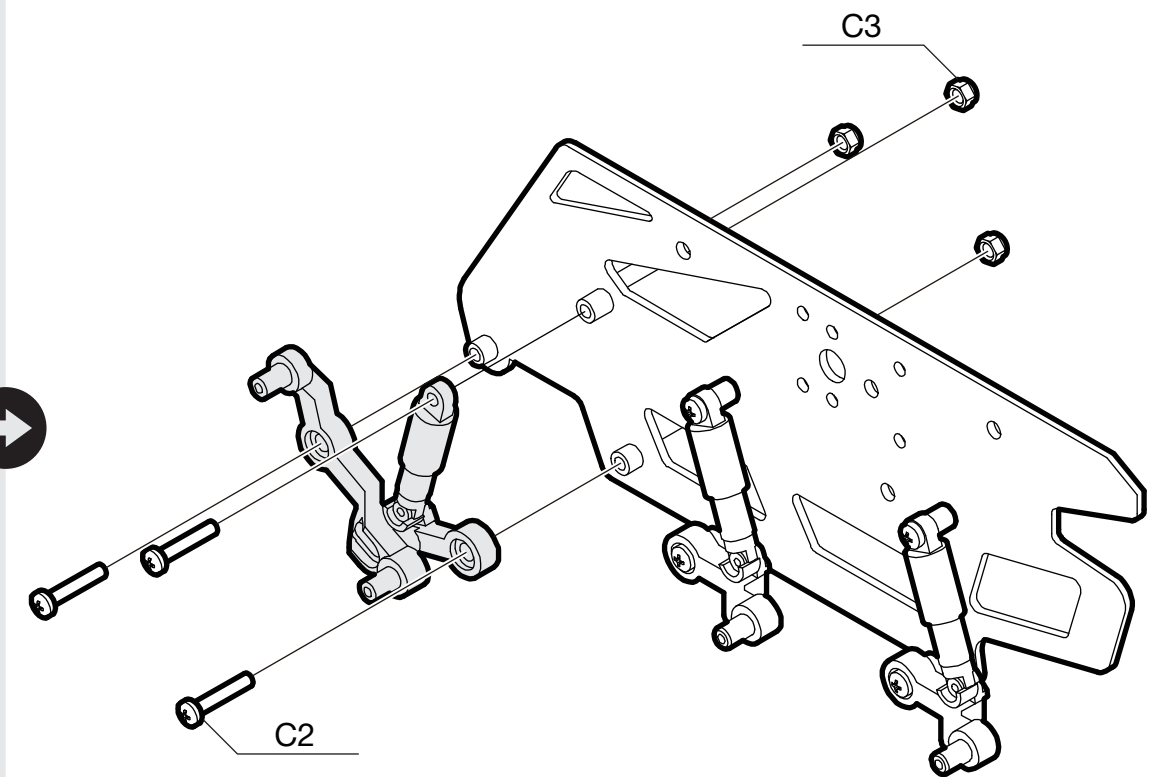
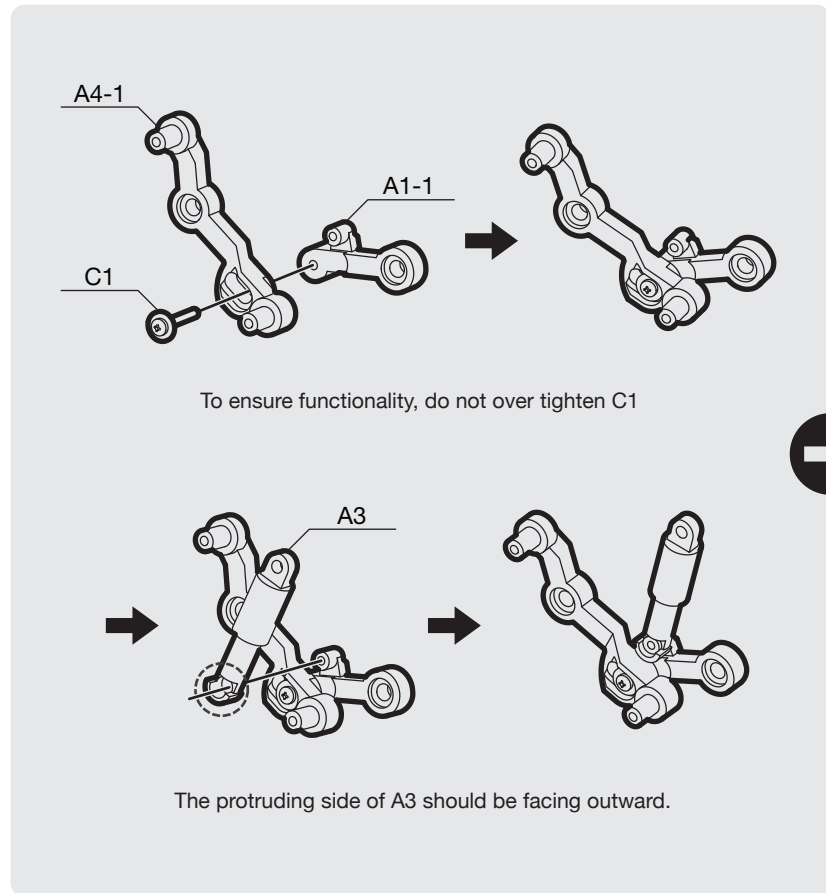
**Note:** Tools and Batteries are not included.



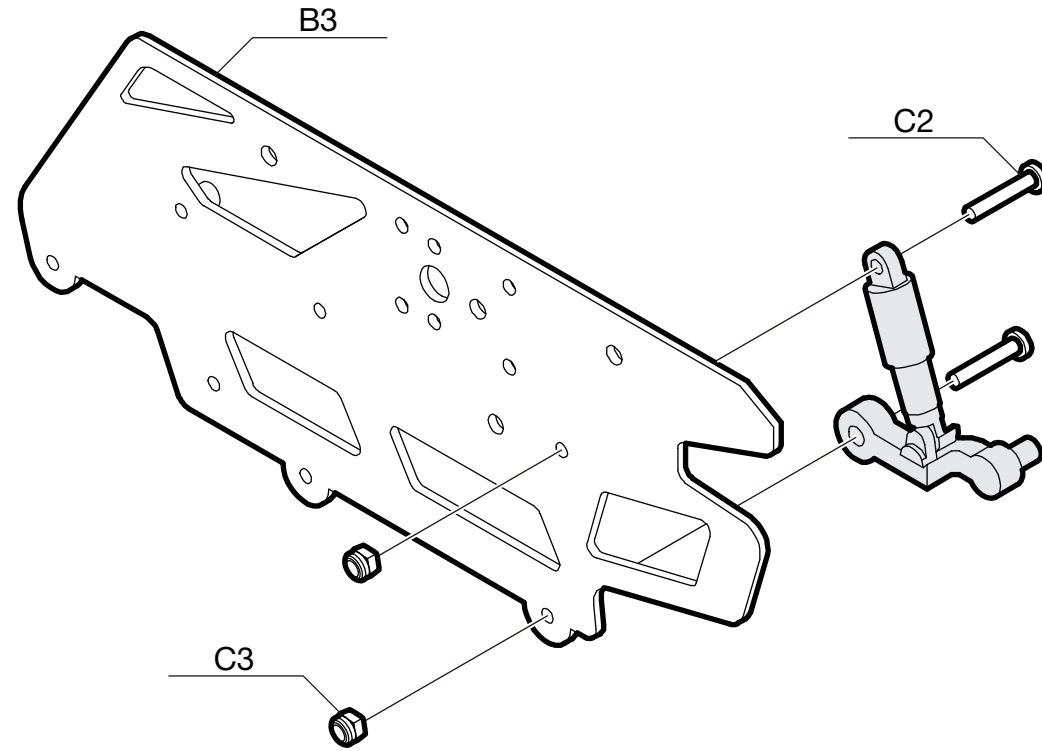
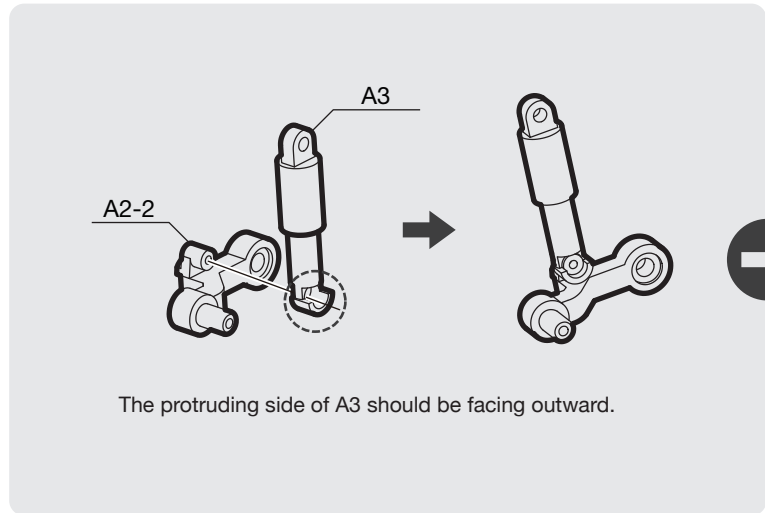
**Make sure the aluminum side panel faces the correct direction.**



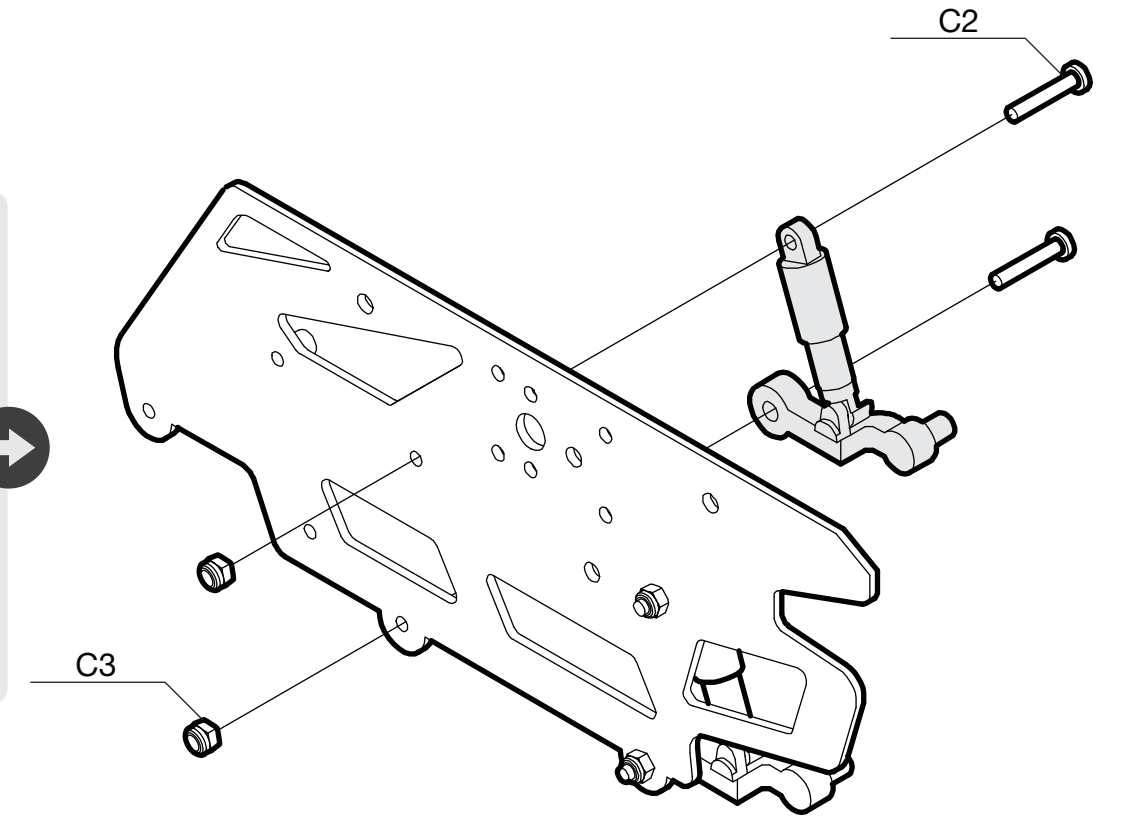
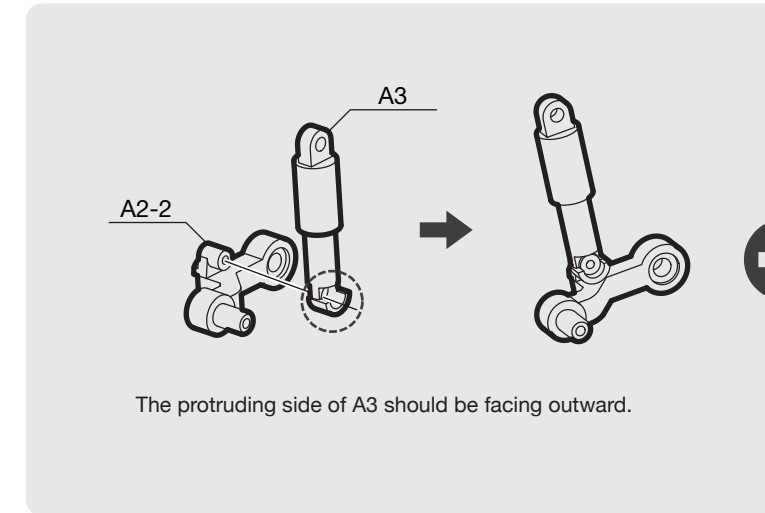
**Make sure the aluminum side panel faces the correct direction.**



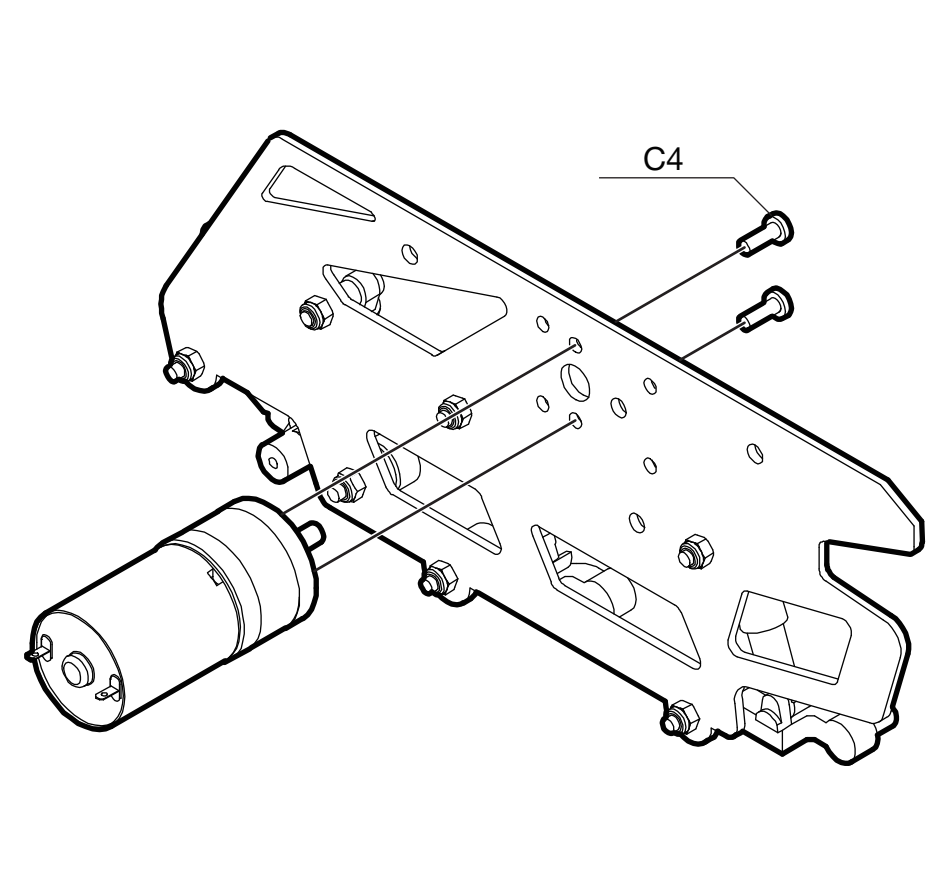
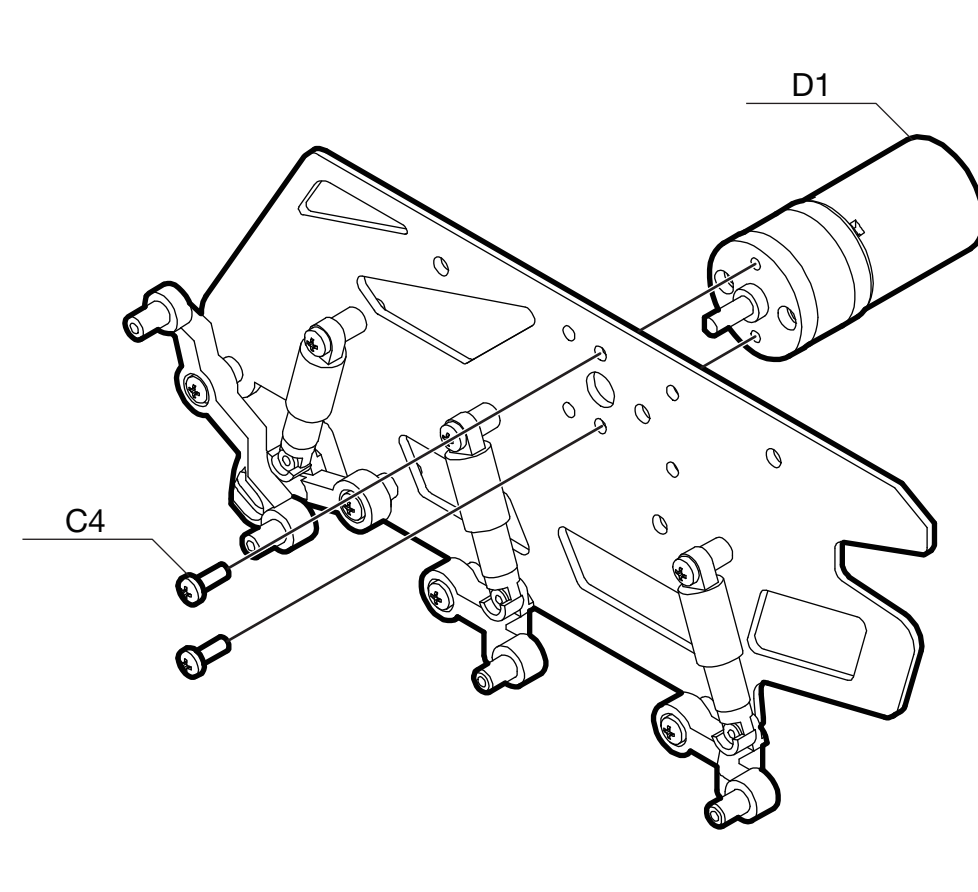
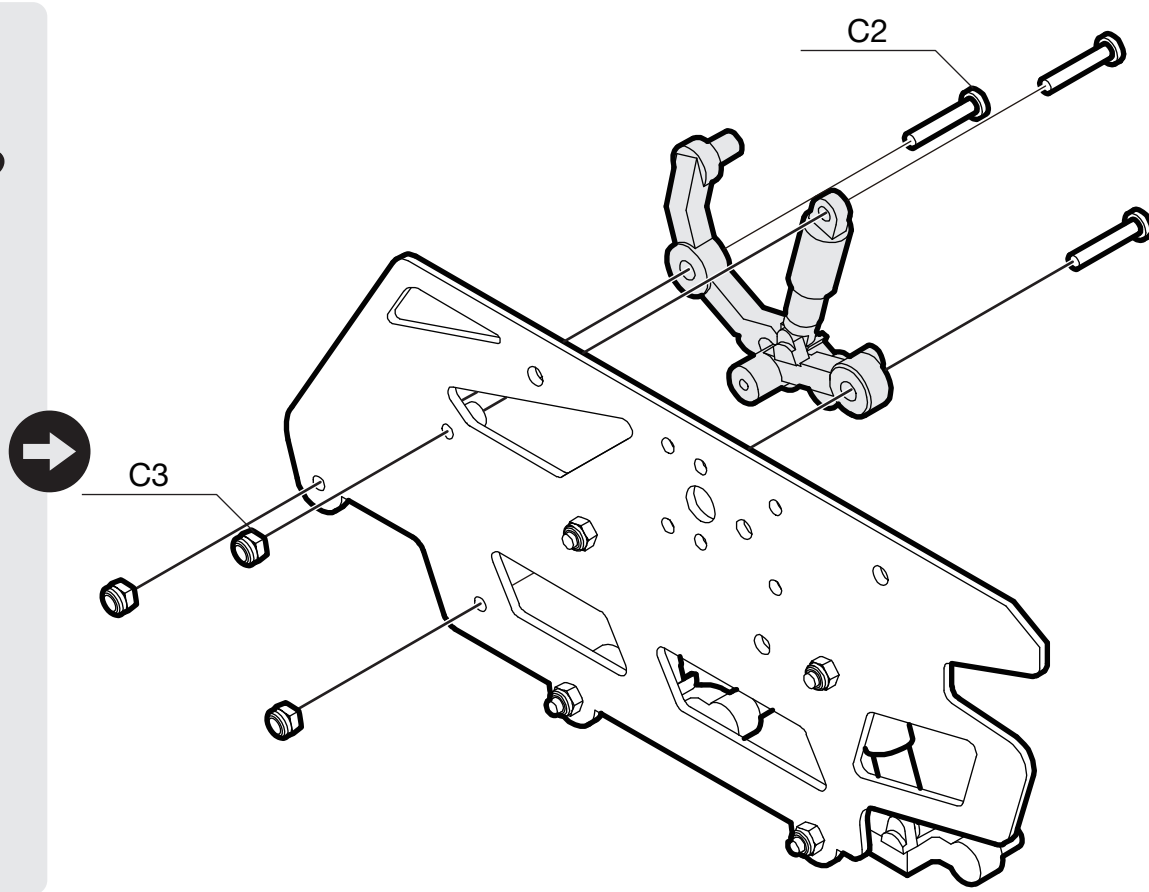
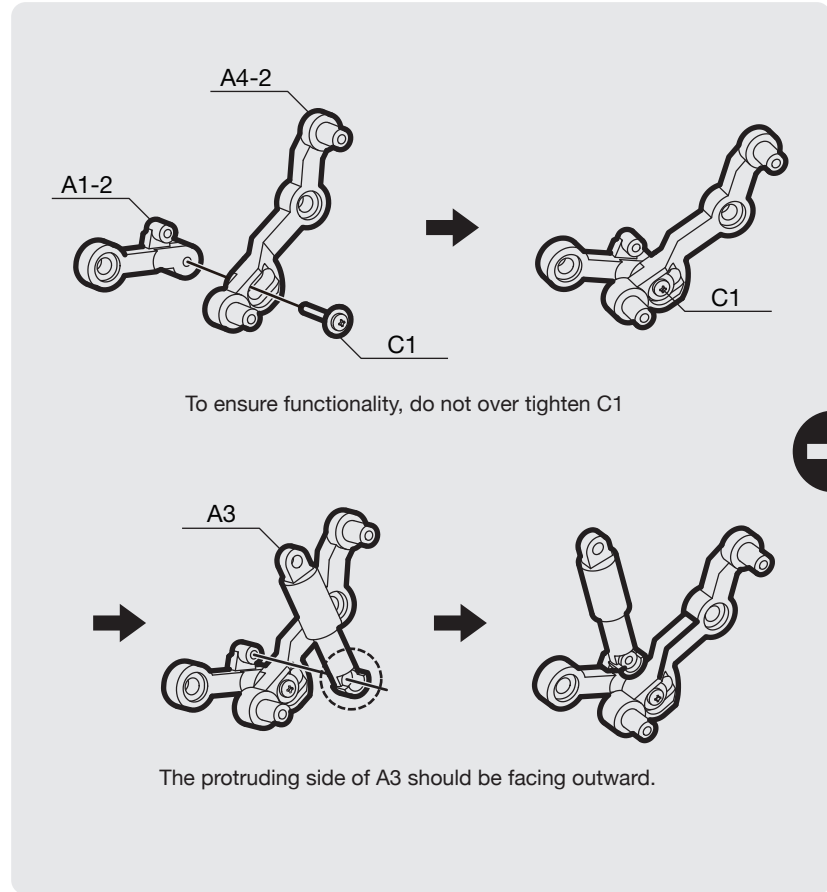


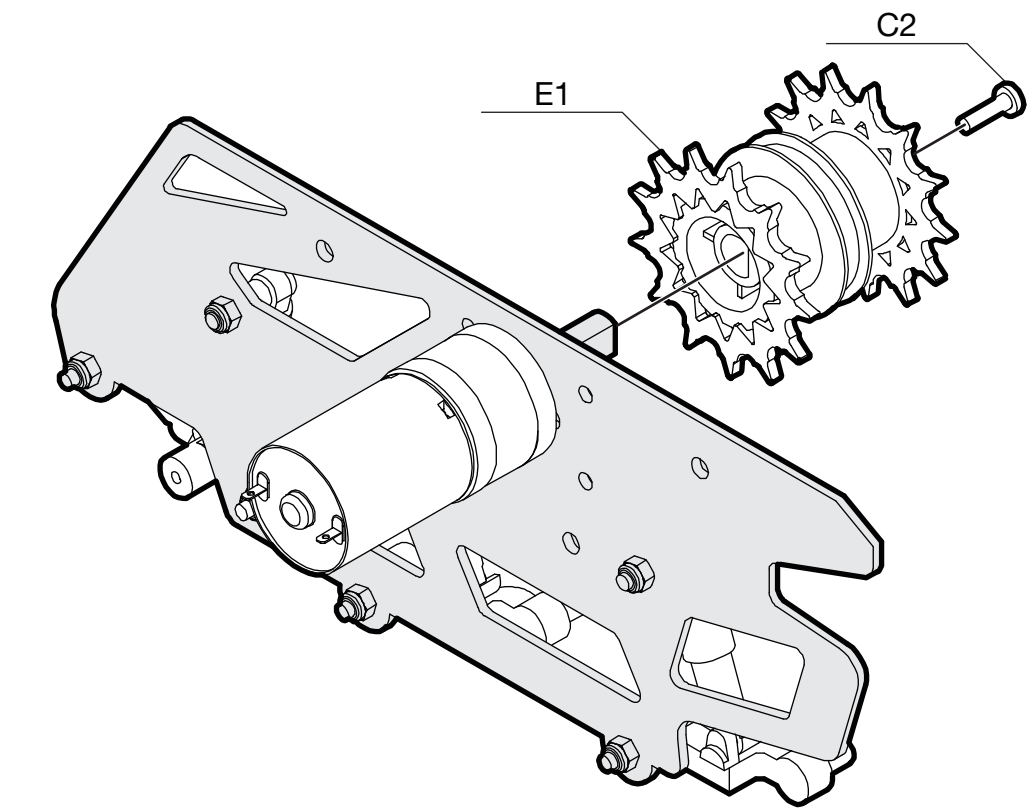
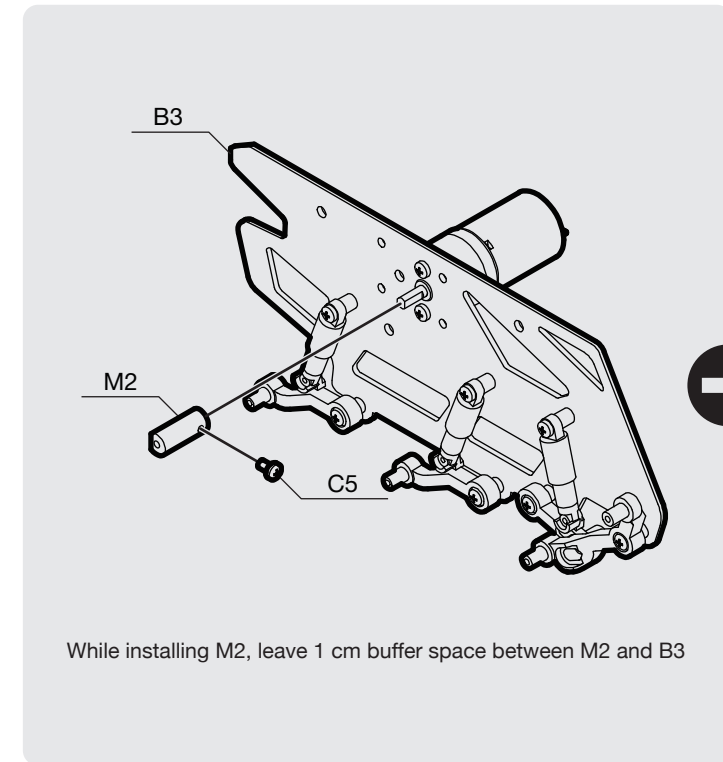
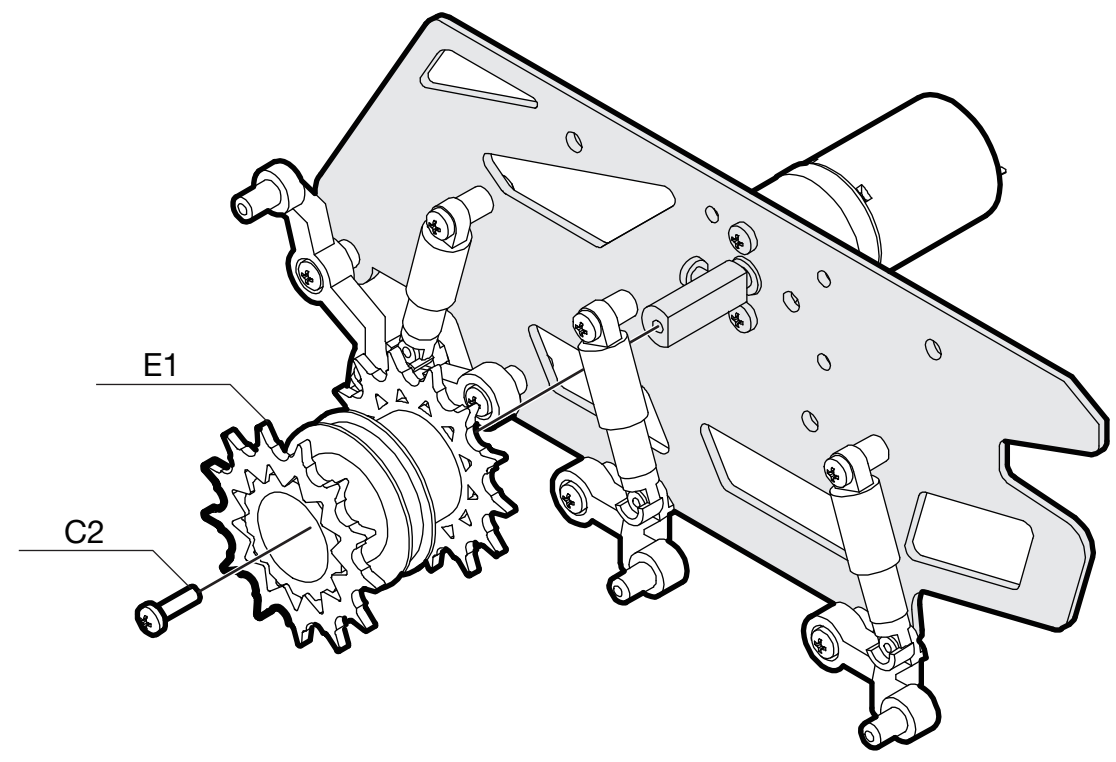
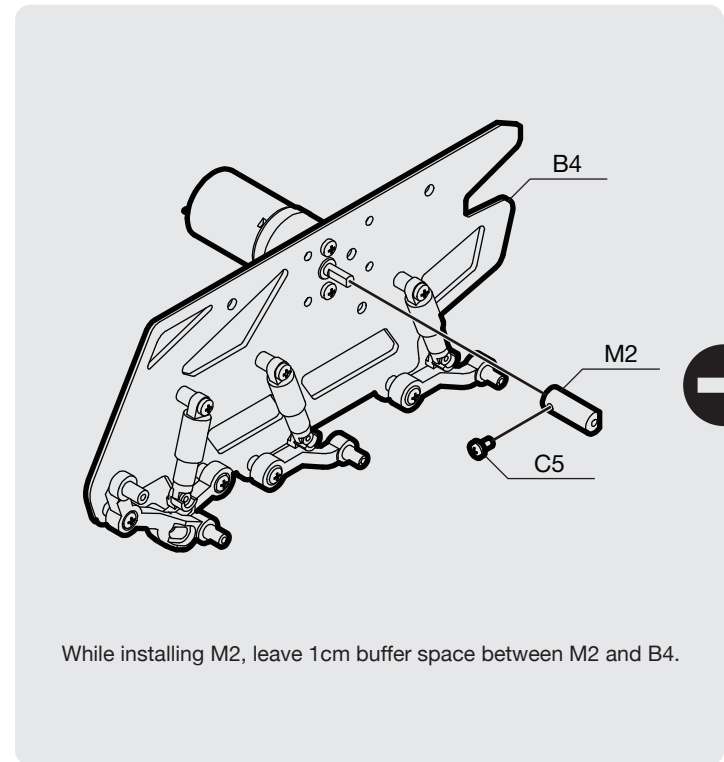


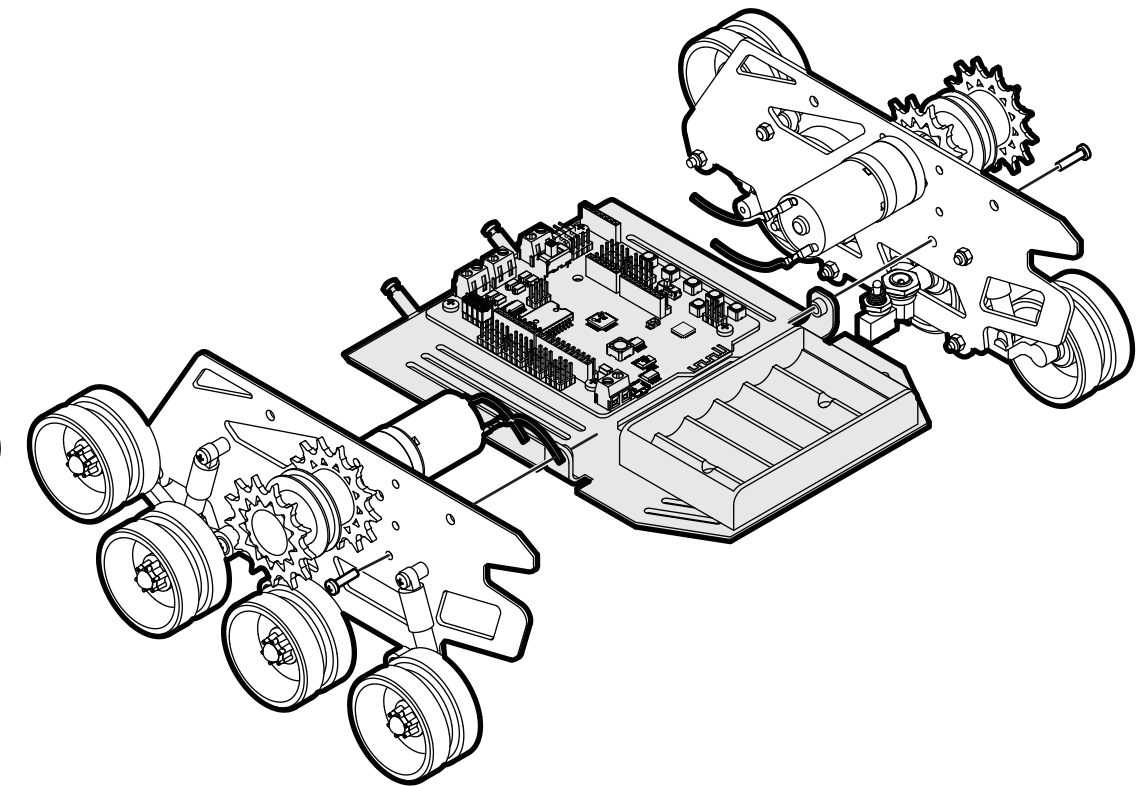
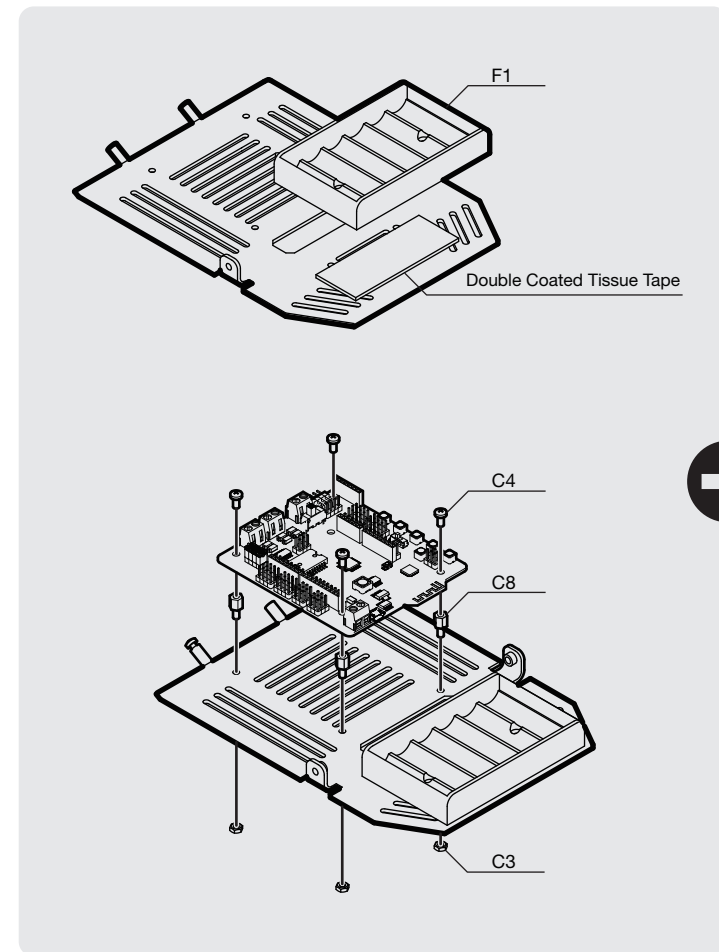
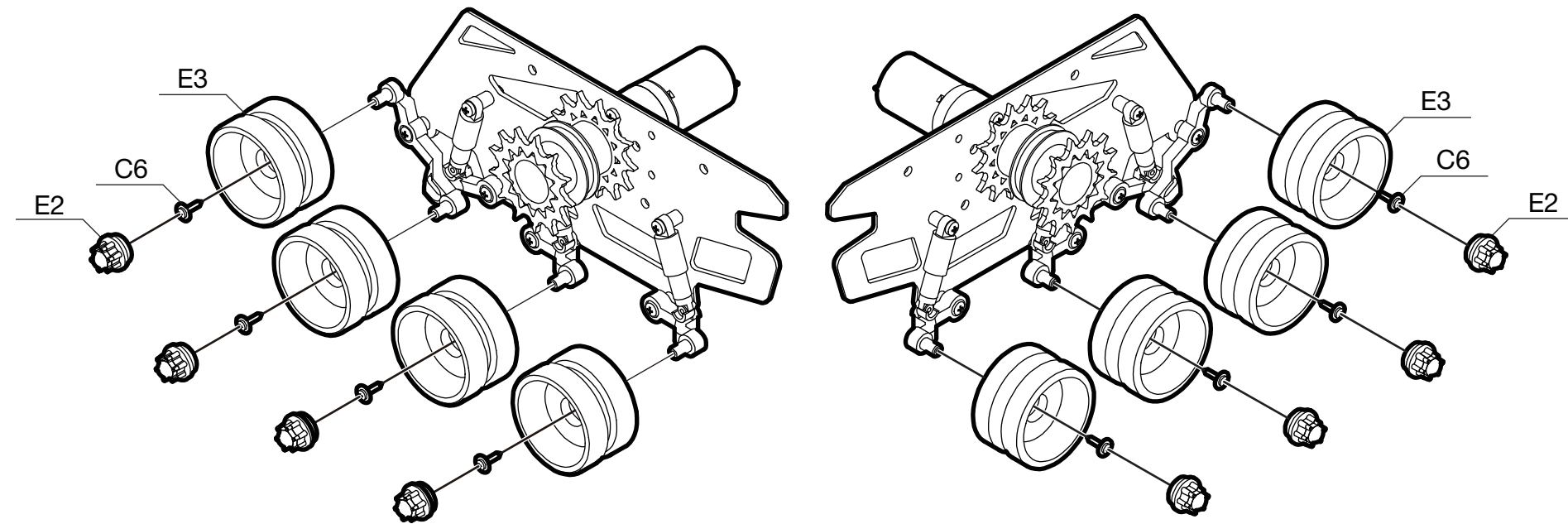
Make sure the aluminum side panel faces the correct direction.



Make sure the aluminum side panel faces the correct direction.

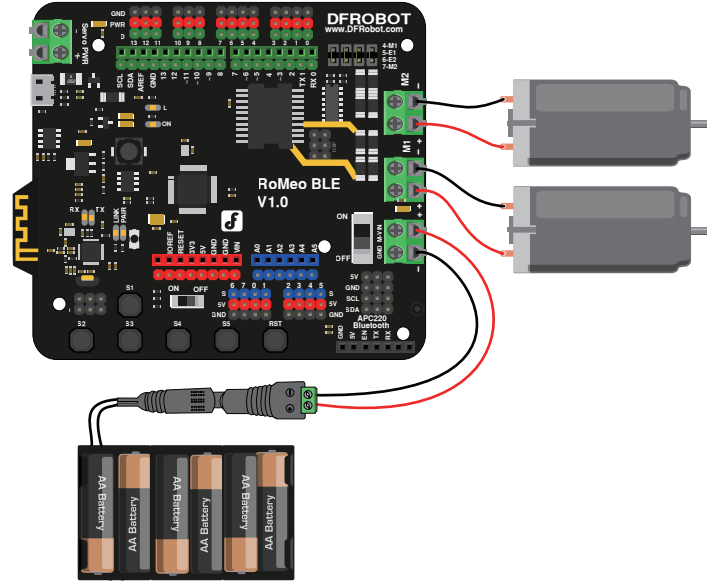




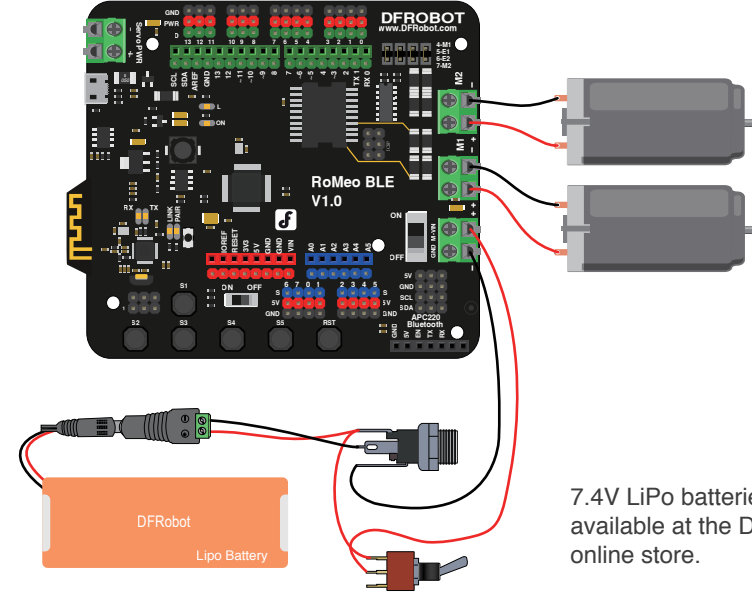


Solder wire (F5) to motors. Connect to board via screw terminals.

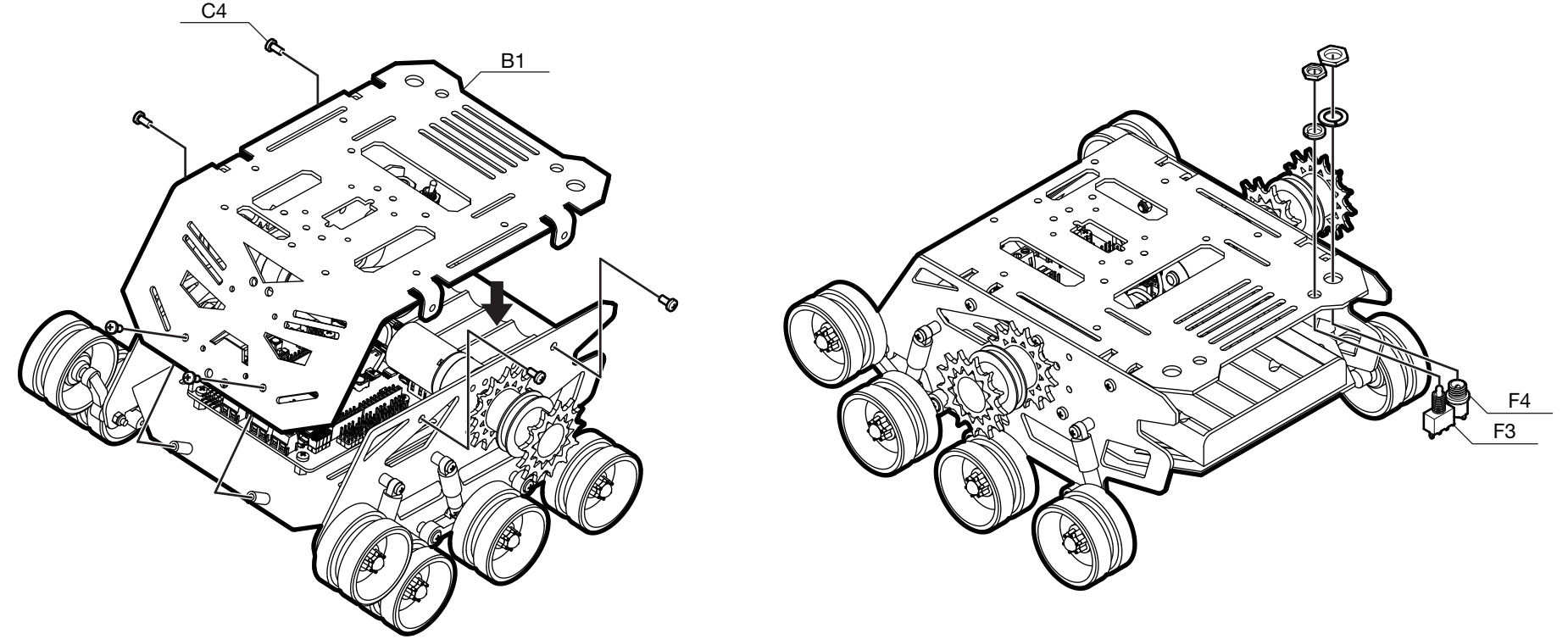
Option A: Battery holder power supply



Option B: Rechargeable battery power supply



7.4V LiPo batteries are available at the DFRobot online store.

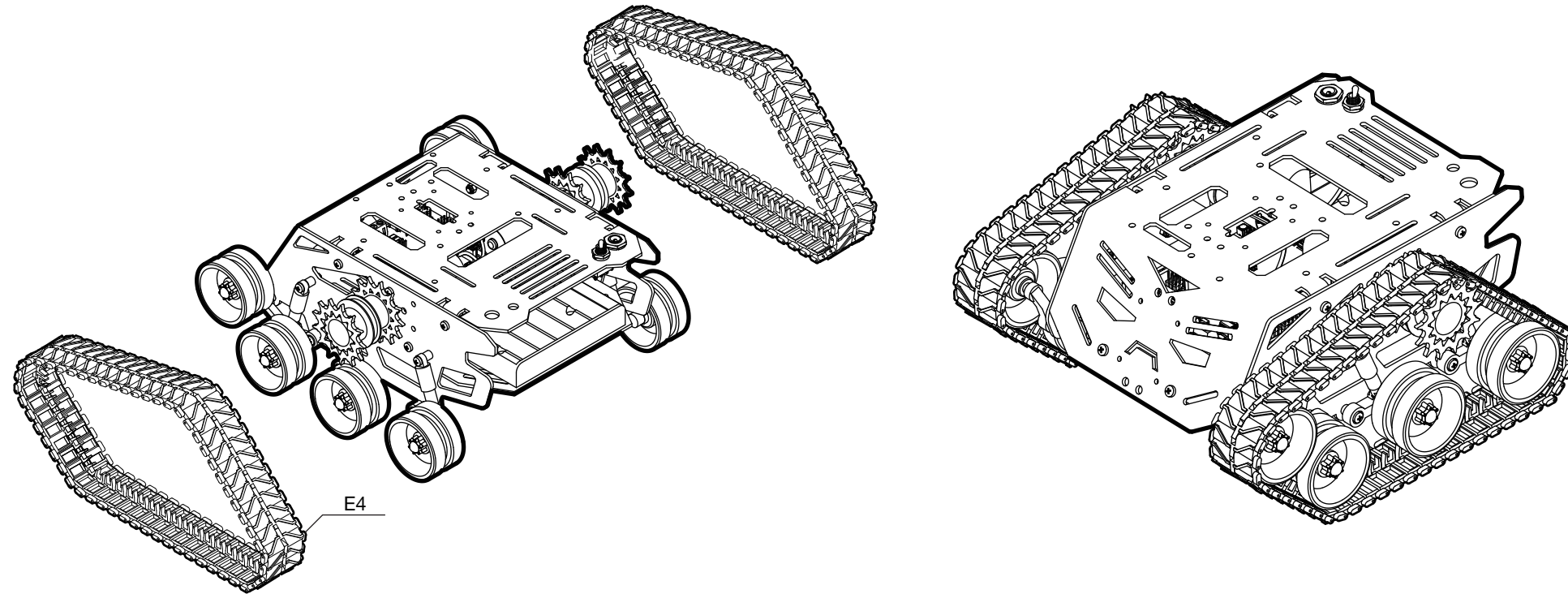


Refer to tutorials on DFRobot Wiki page for trouble shooting.

<https://www.dfrobot.com/wiki>

ROB0128





## Recommended Products

### Autonomous Obstacle Avoiding Robot

Romeo BLE Controller	(SKU: DFR0305)	X1
Goteck Micro Metal Gear Servo	(SKU: SER0011)	X1
URM37 Ultrasonic Sensor	(SKU: SEN0001)	X1
URM37 Ultrasonic Mounting Bracket	(SKU: FIT0006)	X1

### WiFi Monitoring Robot

Romeo BLE Controller	(SKU: DFR0305)	X1
Hexa Base Rotate KIT	(SKU: ROB0114)	X1
DSS-P05 Standard Servo	(SKU: SER0020)	X2
Pan and Tilt Kit	(SKU: FIT0004)	X1
URM37 Ultrasonic Sensor	(SKU: SEN0001)	X1
URM Ultrasonic Mounting Bracket	(SKU: FIT0006)	X1
2.4G WIFI Camera	(SKU: SEN0022)	X1

### Accessories

7.4V Lipo 2200mAh Battery	(SKU: FIT0137)	
Mounting Kit	(SKU: FIT0225)	
Jumper Wires 9" F/F	(SKU: FIT0030)	
Magnet Micro USB Cable	(SKU: FIT0351-OE)	

