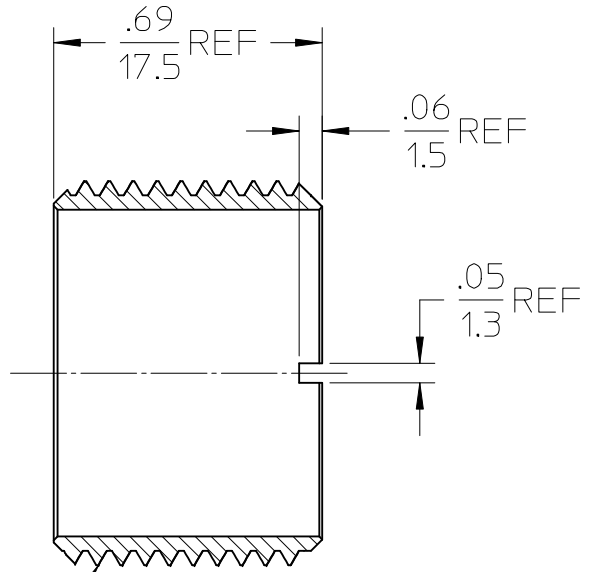
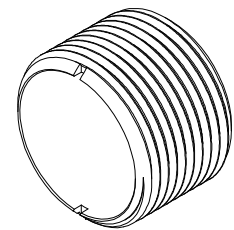


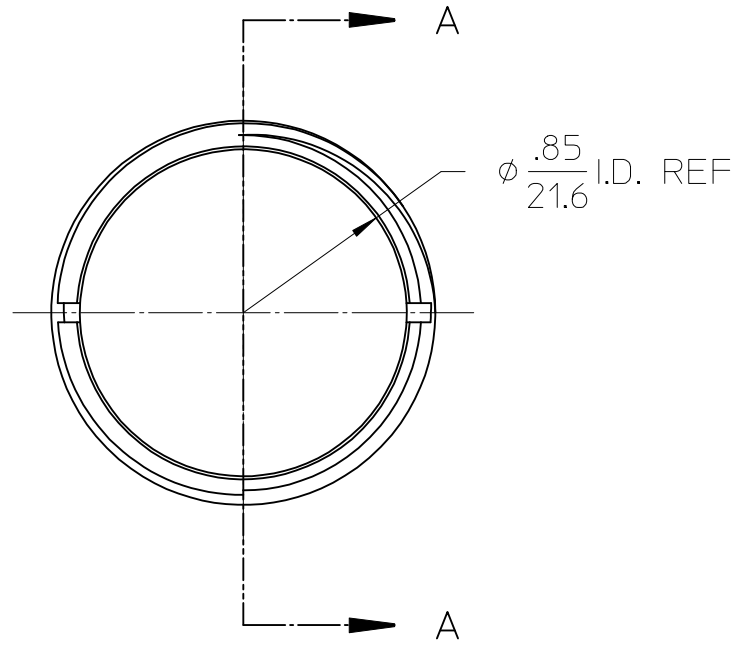
MATL. NO.	ENG NO.	FINISH	MATERIAL
1302011226	55-0466	CLEAR ANODIZE	ALUMINUM
1302011227	55-0466SS	PASSIVATED	ST. STEEL

(B)



1-16 UN-2A THD

Section A-A



ADD SS P/N EC NO: IPG2013-0880 DRWN:RSTONE 2013/01/22 CH'KD:K. JOZWIK 2013/01/25 APPR:JFMURPHY 2013/03/01	QUALITY SYMBOLS =0 =0	GENERAL TOLERANCES (UNLESS SPECIFIED)		DIMENSION STYLE IN/MM		SCALE 2:1	DESIGN UNITS INCH	THIRD ANGLE PROJECTION		
			mm	INCH	DRAWN BY BRUPERT	DATE 08/20/09	TITLE MC THREADED ADAPTER B - SIZE 1-16 THD			
		4 PLACES	± ---	± ---	CHECKED BY WOODMAN	DATE 08/20/09				
		3 PLACES	± ---	± ---	APPROVED BY JFMURPHY	DATE 2009/08/26	MOLEX INCORPORATED DOCUMENT NO. SD-130201-226 SHEET NO. 1 OF 1			
2 PLACES	± ---	± ---	MATERIAL NO. SEE CHART							
1 PLACE	± ---	± ---	ANGULAR ±1/2°		DRAFT WHERE APPLICABLE MUST REMAIN WITHIN DIMENSIONS					